

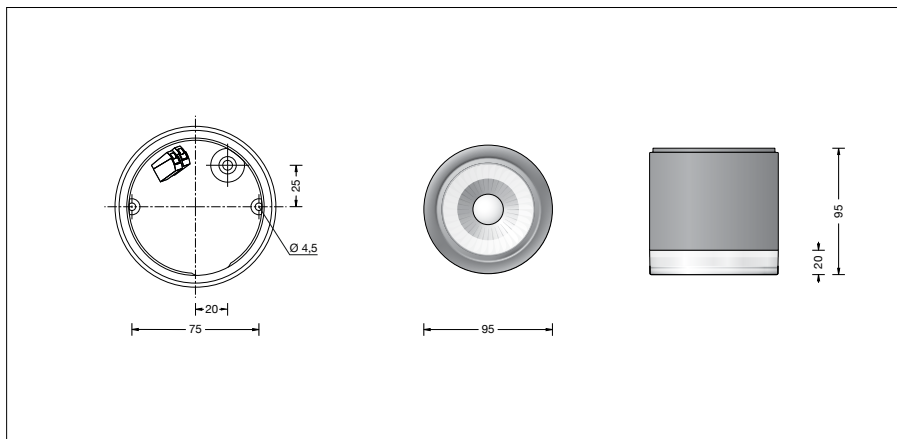
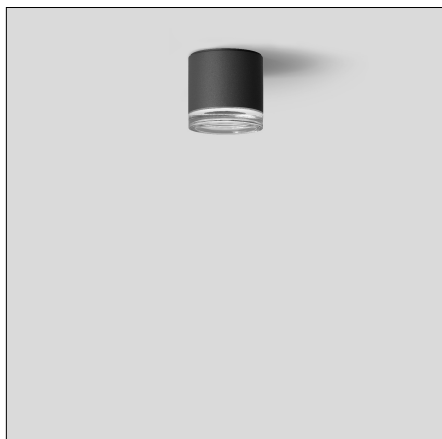
BEGA**66 050**

Ceiling mounted downlight

IP 65

Project · Reference number

Date



Product data sheet

Application

Surface mounted LED downlight with symmetrical light distribution. The partially frosted crystal glass produces an additional vertical light and supplements the light directed downwards by multi-faceted light graphics.

Product description

Luminaire made of aluminium alloy, aluminium and stainless steel
Crystal glass with thread, partially frosted
Silicone gasket
Reflector made of pure anodised aluminium
2 mounting holes \varnothing 4.5 mm
Distance apart 75 mm
1 cable entry for mains supply cable up to \varnothing 10,5 mm max. $3 \times 1,5^{\square}$
Connecting terminals $2,5^{\square}$
Safety class III \diamond
Protection class IP 65
Dust-tight and protection against water jets
Impact strength IK06
Protection against mechanical impacts < 1 joule
CE – Conformity mark
Weight: 0.7 kg

Lamp

Module connected wattage 4.8 W
Luminaire connected wattage 5.4 W
Rated temperature $t_a = 25^{\circ}\text{C}$
Ambient temperature $t_{a, \text{max}} = 65^{\circ}\text{C}$
Voltage 24 V = DC

66 050 K3

Module designation LED-0336/830
Colour temperature 3000 K
Colour rendering index CRI > 80
Module luminous flux 940 lm
Luminaire luminous flux 495 lm
Luminaire luminous efficiency 91,7 lm/W

66 050 K4

Module designation LED-0336/840
Colour temperature 4000 K
Colour rendering index CRI > 80
Module luminous flux 965 lm
Luminaire luminous flux 508 lm
Luminaire luminous efficiency 94,1 lm/W

Service life · Ambient temperature

Ambient temperature $t_a = 25^{\circ}\text{C}$
LED psu: > 50,000 h
LED module: > 200,000 h (L80 B50)
100,000 h (L90 B50)

Ambient temperature $t_a = 65^{\circ}\text{C}$
LED psu: 50,000 h
LED module: 54,000 h (L80 B50)
82,000 h (L70 B50)

Lighting technology

Half beam angle 68°
Luminaire data for the light planning program DIALux for outdoor lighting, street lighting and interior lighting as well as luminaire data in EULUMDAT and IES format are available on our website www.bega.com.

Article No. 66 050

LED colour temperature optionally 3000 K or 4000 K
3000 K – Article number + **K3**
4000 K – Article number + **K4**
Colour optionally graphite or white
Graphite – Article number
White – Article number + **W**

Accessories

Power supply unit for LED luminaires 24 V DC
Safety transformer according to DIN EN 61558/VDE 0570 part 2-6
70 564 Power supply unit for 0-15 W
70 465 Power supply unit for 0-25 W
70 565 Power supply unit for 0-35 W
70 566 Power supply unit for 0-50 W
70 567 Power supply unit for 0-75 W
70 169 Power supply unit for 0-150 W
230 V \sim 50-60 Hz

70 114 Power supply unit for 0-42 W
AC range: AC: 110-264 V \sim 50-60 Hz
DC range: DC: 170-280 V

The power supply units are also suitable for the operation of several LED luminaires. In this case, the maximum wattage of the power supply unit must not be exceeded.

For the accessories a separate instructions for use can be provided upon request.

Light distribution