

BEGA**56 622.2**

Pendant luminaire for indoor use



Project · Reference number


Date

Product data sheet

Application

Pendant luminaire · indoor luminaire with hand-blown opal glass and metal housing.
A focusing / dispersing lens bundles the powerful LED-light in the centre of the reflector for a direct proportion of downlight. At the same time, a proportion of the dispersed light is used to illuminate the luminaire glass.

Product description

Metal luminaire housing,
stainless steel finish
Hand-blown opal glass, with screw neck
Additional focusing / diffusing lens made of partially frosted crystal glass
Reflector made of pure, high-gloss anodized aluminium
Black flex suspension $5 \times 0,75$ □
with 1 steel messenger wire
Overall length of luminaire approx. 2000 mm
Connecting terminals 2.5 □
Earth conductor connection
2-pole connecting terminal for digital control
LED power supply unit
220-240 V \sim 0/50-60 Hz
DALI controllable
A basic isolation exists between power cable and control line
Safety class I
Safety mark  – Safety mark
CE – Conformity mark
Weight: 2.5 kg

Inrush current

Inrush current: 24 A / 115 μ s
Maximum number of luminaires of this type per miniature circuit breaker:
B 10A: 31 luminaires
B 16A: 51 luminaires
C 10A: 53 luminaires
C 16A: 86 luminaires

Lamp

Module connected wattage 13.5 W
Luminaire connected wattage 16.5 W
Rated temperature $t_a = 25$ °C
Ambient temperature $t_{a \max} = 50$ °C

56 622.2 K3

Module designation LED-0328/930
Colour temperature 3000 K
Colour rendering index CRI > 90
Module luminous flux 2135 lm
Luminaire luminous flux 1349 lm
Luminaire luminous efficiency 81,8 lm/W

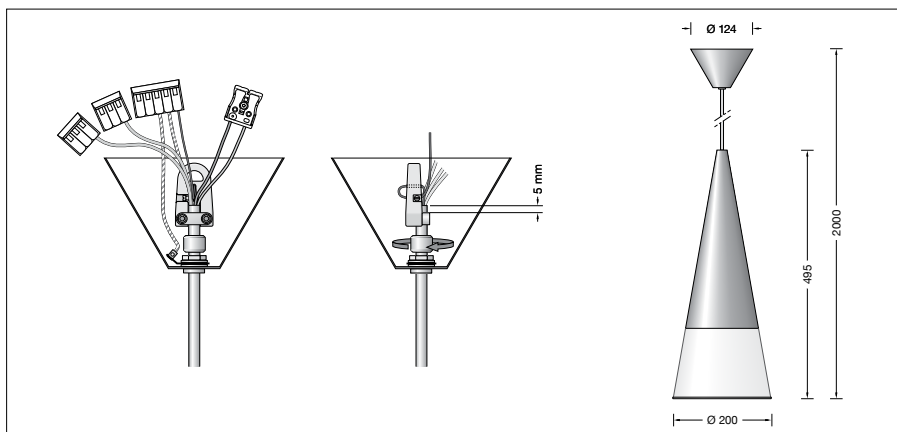
56 622.2 K4

Module designation LED-0328/940
Colour temperature 4000 K
Colour rendering index CRI > 90
Module luminous flux 2200 lm
Luminaire luminous flux 1390 lm
Luminaire luminous efficiency 84,2 lm/W

Service life of the LED

Ambient temperature $t_a = 25$ °C
– at > 500,000h: L70B50

max. ambient temperature $t_a = 50$ °C
– at 161,000h: L70B50

**Lighting technology**

Half beam angle 43°
Luminaire data for the light planning program DIALux for outdoor lighting, street lighting and interior lighting as well as luminaire data in EULUMDAT and IES format are available on our website www.bega.com.

Article No. 56 622.2

LED colour temperature optionally 3000 K or 4000 K
3000 K – Article number + **K3**
4000 K – Article number + **K4**

Optional finishes

- White enamel
- Stainless steel
- Polished aluminium

code number **.1**
code number **.2**
code number **.3**