

**BEGA****56 622.1**

Pendant luminaire for indoor use



Project · Reference number

Date

## Product data sheet

### Application

Pendant luminaire · indoor luminaire with hand-blown opal glass and metal housing.  
A focusing / dispersing lens bundles the powerful LED-light in the centre of the reflector for a direct proportion of downlight. At the same time, a proportion of the dispersed light is used to illuminate the luminaire glass.

### Product description

Metal luminaire housing,  
finish white enamel  
Hand-blown opal glass, with screw neck  
Additional focusing / diffusing lens made of partially frosted crystal glass  
Reflector made of pure, high-gloss anodized aluminium  
White flex suspension  $5 \times 0,7$  □  
with 1 steel messenger wire  
Overall length of luminaire approx. 2000 mm  
Connection terminal 2.5 □  
Earth conductor connection  
2-pole connecting terminal for digital control  
LED power supply unit  
220-240 V  $\sim$  0/50-60 Hz  
DC 176-280 V  
DC Start  $\geq$  190 V  
DALI controllable  
A basic isolation exists between power cable and control line  
BEGA Thermal Control®  
Temporary thermal regulation to protect temperature-sensitive components without switching off the luminaire  
Safety class I  
 – Safety mark  
 – Conformity mark  
Weight: 2.5 kg

### Inrush current

Inrush current: 24 A / 115  $\mu$ s  
Maximum number of luminaires of this type per miniature circuit breaker:  
B 10A: 31 luminaires  
B 16A: 51 luminaires  
C 10A: 53 luminaires  
C 16A: 86 luminaires

### Lamp

|                             |                     |
|-----------------------------|---------------------|
| Module connected wattage    | 13.5 W              |
| Luminaire connected wattage | 16.5 W              |
| Rated temperature           | $t_a = 25$ °C       |
| Ambient temperature         | $t_{a,max} = 50$ °C |

### 56 622.1 K3

|                               |              |
|-------------------------------|--------------|
| Module designation            | LED-0328/930 |
| Colour temperature            | 3000 K       |
| Colour rendering index        | CRI > 90     |
| Module luminous flux          | 2135 lm      |
| Luminaire luminous flux       | 1349 lm      |
| Luminaire luminous efficiency | 81,8 lm/W    |

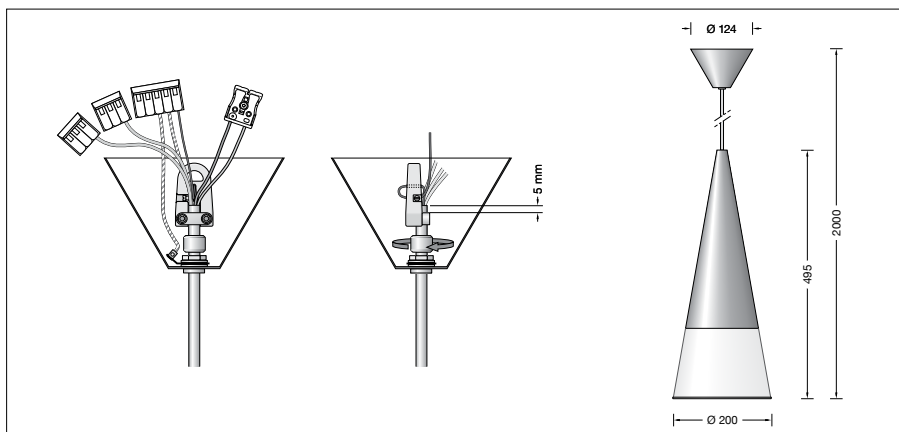
### 56 622.1 K4

|                               |              |
|-------------------------------|--------------|
| Module designation            | LED-0328/940 |
| Colour temperature            | 4000 K       |
| Colour rendering index        | CRI > 90     |
| Module luminous flux          | 2200 lm      |
| Luminaire luminous flux       | 1390 lm      |
| Luminaire luminous efficiency | 84,2 lm/W    |

### Service life of the LED

Ambient temperature  $t_a = 25$  °C  
– at > 500,000 h: L70B50

max. ambient temperature  $t_a = 50$  °C  
– at 161,000 h: L70B50



### Lighting technology

Half beam angle 43°  
Luminaire data for the light planning program DIALux for outdoor lighting, street lighting and interior lighting as well as luminaire data in EULUMDAT and IES format are available on our website [www.bega.com](http://www.bega.com).

### Article No. 56 622.1

LED colour temperature optionally 3000 K or 4000 K  
3000 K – Article number + **K3**  
4000 K – Article number + **K4**

### Optional finishes

- White enamel code number **.1**
- Stainless steel code number **.2**
- Polished aluminium code number **.3**