

BEGA**56 621.3**

Pendant luminaire for indoor use

Project · Reference number

Date

Product data sheet

Application

Pendant luminaire · indoor luminaire with hand-blown opal glass and metal housing.
A focusing / dispersing lens bundles the powerful LED-light in the centre of the reflector for a direct proportion of downlight. At the same time, a proportion of the dispersed light is used to illuminate the luminaire glass.
The used LED technique offers durability and optimal light output with low power consumption at the same time.

Product description

Metal luminaire housing,
finish polished aluminium
Hand-blown opal glass, with screw neck
Additional focusing / dispersing lens made of partially frosted crystal glass
Reflector made of pure, high-gloss anodized aluminium
Black flex suspension $3 \times 0.75 \square$
Overall length of luminaire ~1500 mm
Connecting terminal 2.5 \square
Earth conductor connection
LED power supply unit
220-240 V \sim 0/50-60 Hz
Safety class I
CE – Conformity mark
Weight: 1.3 kg

Inrush current

Inrush current: 27 A / 250 μ s
Maximum number of luminaires of this type per miniature circuit breaker:
B 10A: 17 luminaires
B 16A: 27 luminaires
C 10A: 28 luminaires
C 16A: 45 luminaires

Lighting technology

Half beam angle 41°.
Luminaire data for the light planning program DIALux for outdoor lighting, street lighting and interior lighting as well as luminaire data in EULUMDAT and IES format are available on the BEGA website www.bega.com.

Lamp

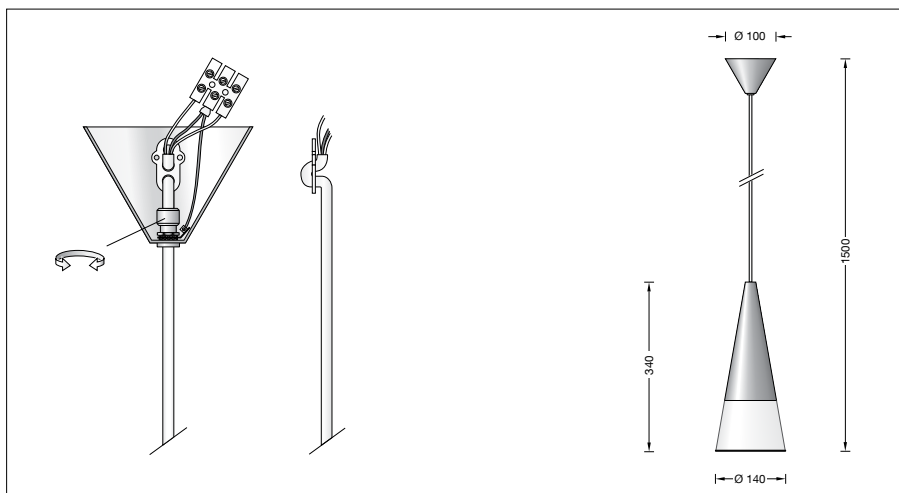
Module connected wattage	8.9 W
Luminaire connected wattage	11.2 W
Rated temperature	$t_a = 25 \text{ }^\circ\text{C}$
Ambient temperature	$t_{a \text{ max}} = 35 \text{ }^\circ\text{C}$

56 621.3

Module designation	LED-0505/930
Colour temperature	3000 K
Colour rendering index	$R_a > 90$
Module luminous flux	1370 lm
Luminaire luminous flux	714 lm
Luminaire luminous efficiency	63,8 lm/W

56 621.3 K4

Module designation	LED-0505/940
Colour temperature	4000 K
Colour rendering index	$R_a > 90$
Module luminous flux	1415 lm
Luminaire luminous flux	737 lm
Luminaire luminous efficiency	65,8 lm/W

**Lifetime of the LED**

Ambient temperature $t_a = 15 \text{ }^\circ\text{C}$
– at 50,000h: L90B10
– at > 500,000h: L70B50

Ambient temperature $t_a = 25 \text{ }^\circ\text{C}$
– at 50,000h: L90B10
– at > 500,000h: L70B50

max. ambient temperature $t_a = 35 \text{ }^\circ\text{C}$
– at 50,000h: L90B10
– at 454,000h: L70B50

Article No. 56 621.3

LED colour temperature optionally 3000K or 4000K
3000 K – Article number
4000 K – Article number + **K4**

Finish options

- Enamel, white
- Stainless steel
- Polished aluminium

Code number **.1**
Code number **.2**
Code number **.3**