

BEGA**56 569.1**

Large-area pendant luminaire for indoor use

Project · Reference number

Date

Product data sheet

Application

LED Large-area pendant luminaire · indoor luminaire with high light power and high uniform light distribution.

Metal luminaire housing and 3 steel suspension wires.

Product description

Aluminium luminaire housing and metal canopy, finish white enamel

Crystal glass, inside white

Silicone gasket

Silvergray flex suspension, semi-matt
4 × 2,5

steel wire suspension

Overall length of luminaire ~3000 mm

Connecting terminal 2.5

with plug connection

Earth conductor connection

2-pole connecting terminal for

digital control

LED power supply unit

220-240 V ~ 50/60 Hz

DALI controllable

A basic isolation exists between power cable and control line

Safety class I

CE – Conformity mark

Weight: 14.5 kg

Inrush current

Inrush current: 60 A /

Maximum number of luminaires of this type per miniature circuit breaker:

B 10A: 6 luminaires

B 16A: 10 luminaires

Lamp

Module connected wattage 110 W

Luminaire connected wattage 126 W

Rated temperature $t_a = 25\text{ °C}$

Ambient temperature $t_{a\text{ max}} = 40\text{ °C}$

56 569.1

Module designation 6x LED-0487/830

Colour temperature 3000 K

Colour rendering index $R_a > 80$

Module luminous flux 10140 lm

Luminaire luminous flux 4323 lm

Luminaire luminous efficiency 34,3 lm/W

56 569.1 K4

Module designation 6x LED-0487/840

Colour temperature 4000 K

Colour rendering index $R_a > 80$

Module luminous flux 10740 lm

Luminaire luminous flux 4583 lm

Luminaire luminous efficiency 36,4 lm/W

Lifetime of the LED

Ambient temperature $t_a = 15\text{ °C}$

– at 50,000h: L70B10

– at 66,000h: L70B50

Ambient temperature $t_a = 25\text{ °C}$

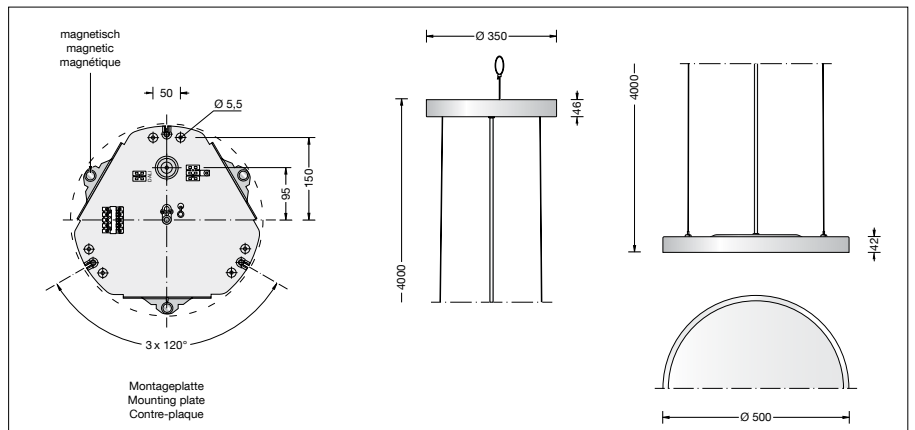
– at 50,000h: L70B10

– at 60,000h: L70B50

max. ambient temperature $t_a = 40\text{ °C}$

– at 50,000h: L70B50

– at 51,000h: L70B50

**Article No. 56 569.1**

LED colour temperature optionally 3000K

or 4000K

3000 K – Article number

4000 K – Article number + **K4**

Finish options

- Enamel, white
- Stainless steel
- Chrome

Code number **.1**

Code number **.2**

Code number **.3**