

BEGA**56 545**

Pendant luminaire for indoor use



Project · Reference number

Date

Product data sheet

Application

Pendant luminaire · indoor luminaire with hand-blown opal glass for free-radiating and uniform light.

Metal luminaire housing and canopy with steel wire suspension.

The used LED technique offers durability and optimal light output with low power consumption at the same time.

Product description

Aluminium luminaire housing and metal canopy, finish white enamel

Hand-blown opal glass

Transparent flex suspension 3 × 0,75 □

Steel wire suspension

Overall length of luminaire ~3000 mm

Connecting terminal 2.5□

with plug connection

Earth conductor connection

LED power supply unit

220-240 V ~ 0/50-60 Hz

DC 176-280 V

Safety class I

– Safety mark

CE – Conformity mark

Weight: 4.5 kg

Inrush current

Inrush current: 20 A / 80 μs

Maximum number of luminaires of this type per miniature circuit breaker:

B10A: 35 luminaires

B16A: 56 luminaires

C10A: 58 luminaires

C16A: 94 luminaires

Lamp

Module connected wattage 11.9 W

Luminaire connected wattage 13.6 W

Rated temperature $t_a = 25\text{ °C}$

Ambient temperature $t_{a\text{ max}} = 30\text{ °C}$

56 545

Module designation LED-0529/930

Colour temperature 3000 K

Colour rendering index $R_a > 90$

Module luminous flux 1515 lm

Luminaire luminous flux 1014 lm

Luminaire luminous efficiency 74,6 lm/W

56 545 K4

Module designation LED-0529/940

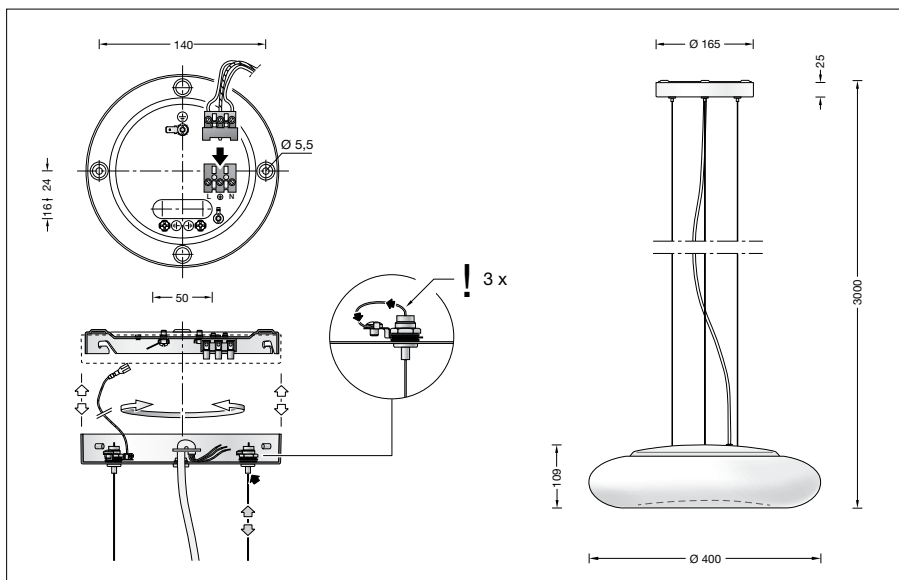
Colour temperature 4000 K

Colour rendering index $R_a > 90$

Module luminous flux 1570 lm

Luminaire luminous flux 1051 lm

Luminaire luminous efficiency 77,3 lm/W



Lifetime of the LED

Ambient temperature $t_a = 15\text{ °C}$

– at 50,000 h: L90B10

– at 320,000 h: L70B50

Ambient temperature $t_a = 25\text{ °C}$

– at 50,000 h: L90B10

– at 250,000 h: L70B50

max. ambient temperature $t_a = 30\text{ °C}$

– at 50,000 h: L90B50

– at 220,000 h: L70B50

Article No. 56 545

LED colour temperature optionally 3000 K or 4000 K

3000 K – Article number

4000 K – Article number + **K4**