

BEGA**56 344.1**

Pendant luminaire for indoor use

Project · Reference number

Date

Product data sheet**Application**

Pendant luminaire · indoor luminaire for free-radiating and uniform light with hand-blown opal glass, satin matt and metal housing.

Product description

Metal housing and canopy
 White enamel finish
 Hand-blown opal glass, satin matt
 White flex suspension 3 × 0,75 □
 with 1 steel messenger wire
 Overall length of luminaire approx. 2200 mm
 Connecting terminals 2.5 □
 Earth conductor connection
 Lampholder 2 G 11
 Electronic ballast (EEI=A2)
 220-240 V \sphericalangle 0/50-60 Hz
 DC 176-276 V
 DC Start \geq 198 V
 Safety class I
CE – Conformity mark
 Weight: 4.5 kg

Light technique

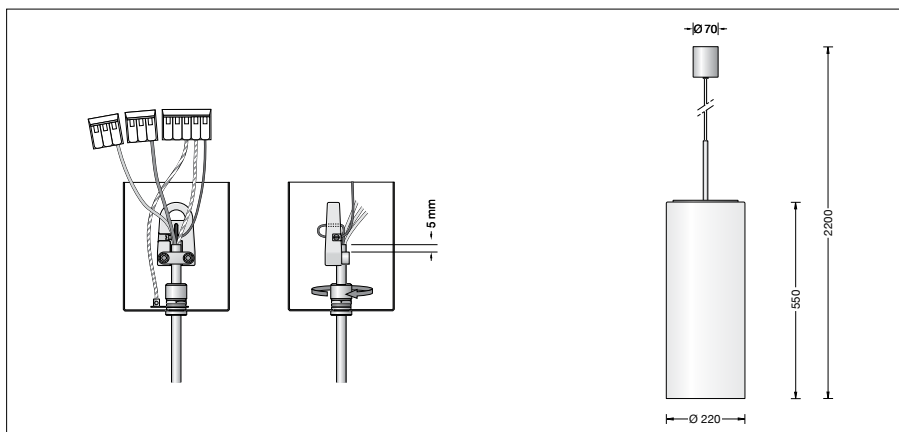
Luminaire data for the light planning program DIALux for outdoor lighting, street lighting and indoor lighting as well as luminaire data in EULUMDAT- and IES-format you will find on the BEGA web page www.bega.com.

Lamps

3 Compact fluorescent lamps
 TC-L 36 W · 2 G 11

Osram: Dulux L 36 W 2900 lm
 Philips: PL-L 36 W / 4p 2900 lm

Please note the lamp manufacturers' operating instructions.

**Article No. 56 344.1**

Finish options

- Enamel, white
- Chrome

Code number **.1**Code number **.3**