

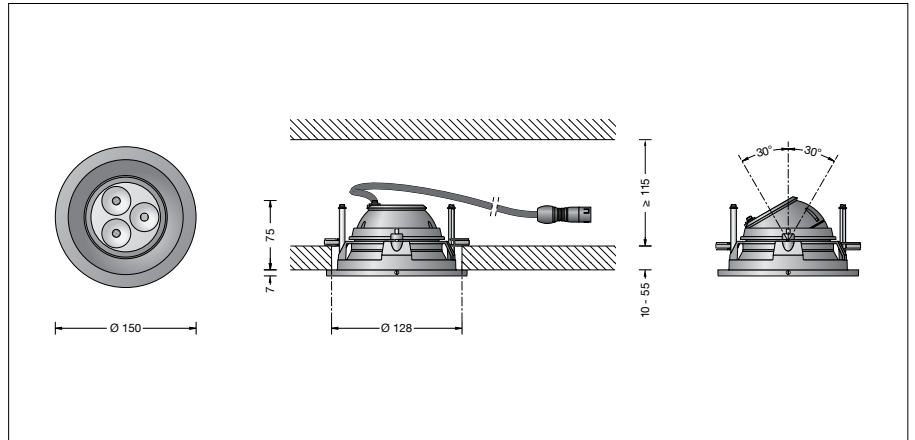
BEGA**55 842**

Recessed ceiling luminaire

IP 65

Project · Reference number

Date



Product data sheet

Application

LED recessed ceiling luminaire with adjustable light distribution. A remote power supply unit is required to operate this luminaire. If this luminaire should be integrated into a LCN or Zigbee controlled building management system we recommend our BEGA Control light control system.

Product description

LED recessed luminaire without power supply unit
 Luminaire made of cast aluminium, aluminium and stainless steel
 Clear safety glass
 Silicone gasket
 Luminaire housing with 2 fixing claws and guide screws
 Recessed opening \varnothing 128 mm
 Recessed depth required 115 mm
 0,5 m mains supply cable A05VV-F 2x0,5[□] with plug
 Safety class III \diamond
 Protection class IP 65
 Dust-tight and protection against water jets
 Impact strength IK07
 Protection against mechanical impacts < 2 joule
CE – Conformity mark
 Weight: 0.6 kg

Lamp

Module connected wattage 5.7 W
 Luminaire connected wattage 8 W
 Rated temperature $t_a = 25\text{ }^\circ\text{C}$
 Ambient temperature $t_{a\text{max}} = 35\text{ }^\circ\text{C}$

On request we can offer you modifications for environments with higher temperatures as a customized product.

55 842 K3

Module designation LED-0438/830
 Colour temperature 3000 K
 Colour rendering index CRI > 80
 Module luminous flux 915 lm
 Luminaire luminous flux 554 lm
 Luminaire luminous efficiency 69,2 lm/W

55 842 K4

Module designation LED-0438/840
 Colour temperature 4000 K
 Colour rendering index CRI > 80
 Module luminous flux 1005 lm
 Luminaire luminous flux 608 lm
 Luminaire luminous efficiency 76 lm/W

Service life of the LED

Ambient temperature $t_a = 25\text{ }^\circ\text{C}$
 – at 200,000h: L70B50

max. ambient temperature $t_a = 35\text{ }^\circ\text{C}$
 – at 200,000h: L70B50

Light technique

Recessed luminaire with adjustable optical system.
 Optical system 0-30° swivel-mounted and $\pm 180^\circ$ infinitely rotatable.
 Narrow beam rotationally symmetrical light distribution. Half beam angle 16°
 For special lighting applications, it is possible to alter the symmetrical light cone to create wide beam or flat beam light distribution by changing the cover glass.
 For wide beam light distribution:
 Diffuser lens **10043**, half beam angle 38°
 For flat beam light distribution:
 Diffuser lens **10014**, half beam angle 20°/36°
 Light cone $\pm 90^\circ$ rotatable.

Article No. 55 842

LED colour temperature optionally 3000K or 4000K
 3000 K – Article number + **K3**
 4000 K – Article number + **K4**
 Colour optionally graphite or white
 Graphite – Article number
 White – Article number + **W**

Accessories

Power supply units for LED luminaires 220-240 V · 0/50-60 Hz with strain relief and plug connector system.

13 191 Power supply unit on/off
10 520 Power supply unit DALI

The power supply units are only suitable for the operation of one LED luminaire.

10 441 Installation housing
10 043 Exchangeable lens wide beam
10 014 Exchangeable lens flat beam

For the accessories a separate instructions for use can be provided upon request.

Light distribution