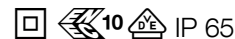


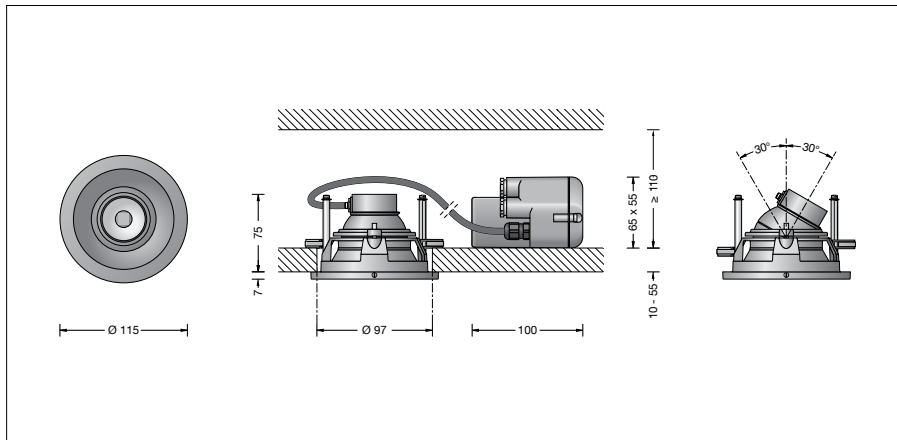
BEGA**55 841**

Recessed ceiling luminaire



Project · Reference number

Date


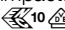
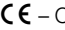


Product data sheet

Application

LED recessed ceiling luminaire with adjustable light distribution. If this luminaire should be integrated into a LCN or Zigbee controlled building management system we recommend our BEGA Control light control system.

Product description

Recessed LED luminaire with a remote non-dimmable power supply unit
 Luminaire made of aluminium alloy, aluminium and stainless steel
 Safety glass with optical structure
 Reflector surface made of pure aluminium
 Silicone gasket
 Luminaire housing with 2 fixing claws and guide screws
 Recessed opening \varnothing 97 mm
 Recessed depth required 110 mm
 Connecting compartment with 2 cable entries for through-wiring of the mains supply cable up to \varnothing 8-10 mm max. 3×1.5 □
 1 screw cable gland factory-closed with sealing plug
 Connecting terminals 2.5 □
 LED power supply unit
 220-240 V \sim 0/50-60 Hz
 Safety class II 
 Protection class IP 65
 Dust-tight and protection against water jets
 Impact strength IK06
 Protection against mechanical impacts < 1 joule
 – Safety mark
 – Conformity mark
 Weight: 0.45 kg

Lamp

Module connected wattage	2.9 W
Luminaire connected wattage	4.3 W
Rated temperature	$t_a = 25$ °C
Ambient temperature	$t_{a \max} = 55$ °C
When installed in heat-insulating material	$t_{a \max} = 45$ °C

55 841 K3

Module designation	LED-0444/830
Colour temperature	3000 K
Colour rendering index	CRI > 80
Module luminous flux	550 lm
Luminaire luminous flux	353 lm
Luminaire luminous efficiency	82,1 lm/W

55 841 K4

Module designation	LED-0444/840
Colour temperature	4000 K
Colour rendering index	CRI > 80
Module luminous flux	565 lm
Luminaire luminous flux	362 lm
Luminaire luminous efficiency	84,2 lm/W

Service life · Ambient temperature

Ambient temperature $t_a = 25$ °C	
LED power supply unit:	> 50.000 h
LED module:	> 200.000 h (L80 B50) 100.000 h (L90 B50)

Ambient temperature $t_a = 55$ °C	
LED power supply unit:	50.000 h
LED module:	80.000 h (L80 B50) 100.000 h (L70 B50)

Inrush current

Inrush current: 27 A / 250 μ s
 Maximum number of luminaires of this type per miniature circuit breaker:
 B 10A: 17 luminaires
 B 16A: 27 luminaires
 C 10A: 28 luminaires
 C 16A: 45 luminaires

Light technique

Recessed luminaire with adjustable optical system.
 Optical system 0-30° swivel-mounted and $\pm 180^\circ$ infinitely rotatable.
 Narrow beam rotationally symmetrical light distribution. Half beam angle 32°
 For special lighting applications, it is possible to alter the symmetrical light cone to create wide beam or flat beam light distribution by changing the cover glass.
 For wide beam light distribution:
 Diffuser lens **10042**, half beam angle 45°
 For flat beam light distribution:
 Diffuser lens **10013**, half beam angle 32°/60°
 Light cone $\pm 90^\circ$ rotatable.

Article No. 55 841

LED colour temperature optionally 3000 K or 4000 K
 3000 K – Article number + **K3**
 4000 K – Article number + **K4**

Colour optionally graphite or white
 Graphite – Article number
 White – Article number + **W**

Accessories

10440 Installation housing
10042 Exchangeable lens wide beam
10013 Exchangeable lens flat beam

For the accessories a separate instructions for use can be provided upon request.

Light distribution

