

BEGA**50 793.6**

Large-area ceiling luminaire for indoor use

Project · Reference number

Date

Product data sheet**Application**

Large-area LED ceiling luminaire · indoor luminaire with high light power, high uniform light distribution and adjustable colour temperature (Tunable White). With metal luminaire shield for shielded light deflectetd downwards.

Product description

Large-area LED luminaire »STUDIO LINE«
 Aluminium housing shield,
 velvet black enamel finish
 Inside hue matt copper
 Metal luminaire mounting plate,
 finish white enamel
 Light-diffusing synthetic luminaire cover
 Silicone gasket
 Mounting round plate with 6 fixing holes,
 Angle 120° · pitch circle \varnothing 1,090 mm and with 2
 fixing holes, \varnothing 10 mm on pitch circle \varnothing 450 mm
 Connecting terminals 2.5² · Plug system
 Earth conductor terminal
 LED power supply unit
 220-240 V \sim 0/50-60 Hz
 DC 176-280 V
 DC Start \geq 190 V
 DALI controllable (Device Type 8 for Tunable
 White according to IEC 62386-209)
 A basic isolation exists between power cable
 and control line
 BEGA Thermal Switch®
 Temporary thermal shutdown to protect
 temperature-sensitive components
 Safety class I
CE – Conformity mark
 Weight: 57.4 kg

Inrush current

Inrush current: 105 A / 189 μ s
 Maximum number of luminaires of this
 type per miniature circuit breaker:
 B 10A: 3 luminaires
 B 16A: 6 luminaires
 C 10A: 6 luminaires
 C 16A: 10 luminaires

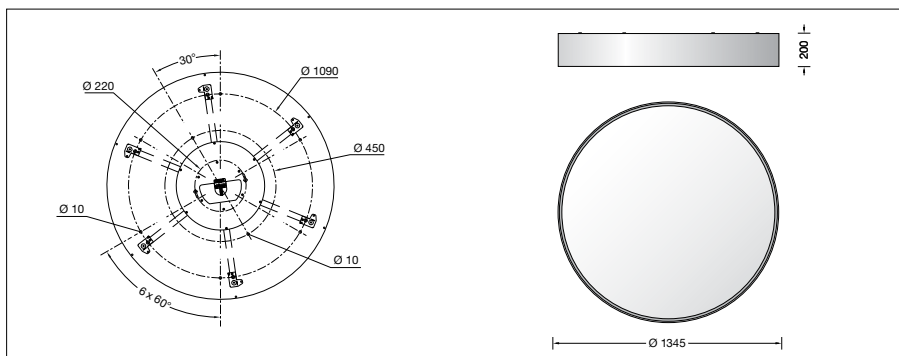
Lamp

Module connected wattage	123.2 W
Luminaire connected wattage	144 W
Rated temperature	$t_a = 25$ °C
Ambient temperature	$t_{a \max} = 45$ °C

Module designation	8 x LED-0702/9TW
Colour temperature	adjust. 2700 - 6500 K
Colour rendering index	$R_a > 90$
Module luminous flux	19360 lm
Luminaire luminous flux	13179 lm
Luminaire luminous efficiency	91,5 lm/W

Setting the colour temperature

The LED colour temperature of the luminaire can be set from 2700 to 6500 K ("Tunable White"). Please note: To be able to set the LED colour temperature, the controller used must support DALI Device Type 8. If no LED colour temperature setting is made, 3000 K will be used by default.

**Service life · Ambient temperature**

Rated temperature $t_a = 25$ °C	
LED psu:	> 50,000 h
LED module:	> 200,000 h (L 80 B 50)
	50,000 h (L 90 B 50)

Ambient temperature $t_{a \max} = 45$ °C (100 %)	
LED psu:	50,000 h
LED module:	119,000 h (L 80 B 50)
	50,000 h (L 90 B 50)

Article No. 50 793.6

Interior colour options

- white
- matt aluminium
- matt brass
- matt copper

Code number .1
 Code number .2
 Code number .4
 Code number .6

Light technique

Luminaire data for the light planning program DIALux for outdoor lighting, street lighting and indoor lighting as well as luminaire data in EULUMDAT- and IES-format you will find on the BEGA web page www.bega.com.