

**BEGA****50 793.2**

Large-area ceiling luminaire for indoor use

Project · Reference number

Date

**Product data sheet****Application**

Large-area LED ceiling luminaire · indoor luminaire with high light power, high uniform light distribution and adjustable colour temperature (Tunable White). With metal luminaire shield for shielded light deflectetd downwards.

**Product description**

Large-area LED luminaire »STUDIO LINE«  
 Aluminium housing shield,  
 velvet black enamel finish,  
 Inside hue matt aluminium  
 Metal luminaire mounting plate,  
 finish white enamel  
 Light-diffusing synthetic luminaire cover  
 Silicone gasket  
 Mounting round plate with 6 fixing holes,  
 Angle 120° · pitch circle  $\phi$  1,090 mm and with 2  
 fixing holes,  $\phi$  10 mm on pitch circle  $\phi$  450 mm  
 Connecting terminals 2.5<sup>2</sup> · Plug system  
 Earth conductor terminal  
 LED power supply unit  
 220-240 V  $\sim$  0/50-60 Hz  
 DC 176-280 V  
 DC Start  $\geq$  190 V  
 DALI controllable (Device Type 8 for Tunable  
 White according to IEC 62386-209)  
 A basic isolation exists between power cable  
 and control line  
 BEGA Thermal Switch®  
 Temporary thermal shutdown to protect  
 temperature-sensitive components  
 Safety class I  
**CE** – Conformity mark  
 Weight: 57.4 kg

**Inrush current**

Inrush current: 105 A / 189  $\mu$ s  
 Maximum number of luminaires of this  
 type per miniature circuit breaker:  
 B 10A: 3 luminaires  
 B 16A: 6 luminaires  
 C 10A: 6 luminaires  
 C 16A: 10 luminaires

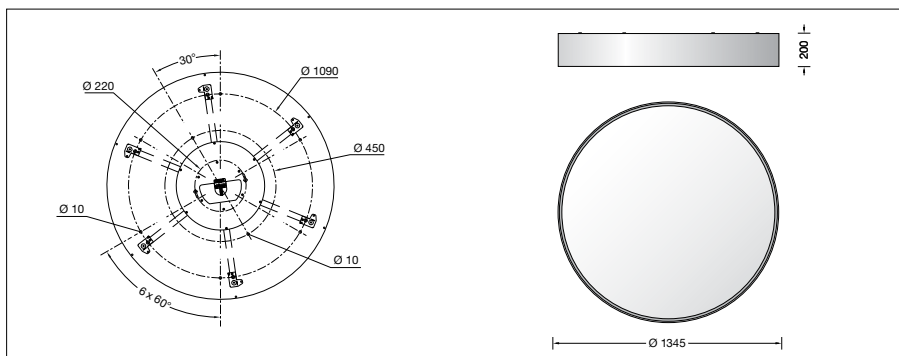
**Lamp**

Module connected wattage	123.2 W
Luminaire connected wattage	144 W
Rated temperature	$t_a = 25$ °C
Ambient temperature	$t_{a \max} = 45$ °C

Module designation	8 x LED-0702/9TW
Colour temperature	adjust. 2700 - 6500 K
Colour rendering index	$R_a > 90$
Module luminous flux	19360 lm
Luminaire luminous flux	14003 lm
Luminaire luminous efficiency	97,2 lm/W

**Setting the colour temperature**

The LED colour temperature of the luminaire can be set from 2700 to 6500 K ("Tunable White"). Please note: To be able to set the LED colour temperature, the controller used must support DALI Device Type 8. If no LED colour temperature setting is made, 3000 K will be used by default.

**Service life · Ambient temperature**

Rated temperature $t_a = 25$ °C	
LED psu:	> 50,000 h
LED module:	> 200,000 h (L 80 B 50) 50,000 h (L 90 B 50)

Ambient temperature $t_{a \max} = 45$ °C (100 %)	
LED psu:	50,000 h
LED module:	119,000 h (L 80 B 50) 50,000 h (L 90 B 50)

**Article No. 50 793.2**

Interior colour options

- white
- matt aluminium
- matt brass
- matt copper

Code number .1  
 Code number .2  
 Code number .4  
 Code number .6

**Light technique**

Luminaire data for the light planning program DIALux for outdoor lighting, street lighting and indoor lighting as well as luminaire data in EULUMDAT- and IES-format you will find on the BEGA web page [www.bega.com](http://www.bega.com).