

BEGA**50 792.4**

Large-area ceiling luminaire for indoor use

Project · Reference number

Date

Product data sheet**Application**

Large-area LED ceiling luminaire · indoor luminaire with high light power, high uniform light distribution and adjustable colour temperature (Tunable White). With metal luminaire shield for shielded light deflected downwards.

Product description

Large-area LED luminaire »STUDIO LINE«
Aluminium housing shield,
velvet black enamel finish,
Inside hue matt brass
Metal luminaire mounting plate,
finish white enamel
Light-diffusing synthetic luminaire cover
Silicone gasket
Mounting round plate with 3 fixing holes,
Angle 120° · pitch circle ø 840 mm
and with 3 fixing holes, ø 10 mm on pitch circle ø 790 mm
Connecting terminals 2.5[□] · Plug system
Earth conductor terminal
LED power supply unit
220-240 V \sim 0/50-60 Hz
DC 176-280 V
DC Start \geq 190 V
DALI controllable (Device Type 8 for Tunable White according to IEC 62386-209)
A basic isolation exists between power cable and control line
BEGA Thermal Switch®
Temporary thermal shutdown to protect temperature-sensitive components
Safety class I
Impact strength IK10
Protection against mechanical impacts < 20 joule
CE – Conformity mark
Weight: 34.7 kg

Inrush current

Inrush current: 73 A / 189 μ s
Maximum number of luminaires of this type per miniature circuit breaker:
B 10A: 5 luminaires
B 16A: 9 luminaires
C 10A: 9 luminaires
C 16A: 15 luminaires

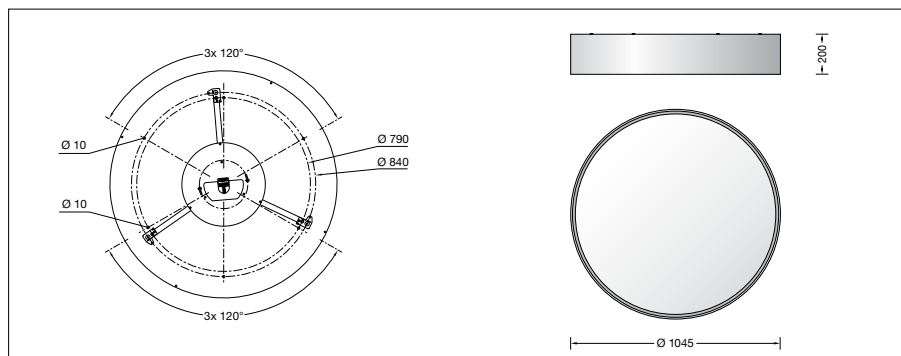
Lamp

Module connected wattage	100 W
Luminaire connected wattage	114 W
Rated temperature	$t_a = 25\text{ }^\circ\text{C}$
Ambient temperature	$t_{a\text{ max}} = 50\text{ }^\circ\text{C}$

Module designation	4 x LED-0714/9TW
Colour temperature	adjust. 2700 - 6500 K
Colour rendering index	$R_a > 90$
Module luminous flux	15740 lm
Luminaire luminous flux	11379 lm
Luminaire luminous efficiency	99,8 lm/W

Setting the colour temperature

The LED colour temperature of the luminaire can be set from 2700 to 6500 K ("Tunable White"). Please note: To be able to set the LED colour temperature, the controller used must support DALI Device Type 8. If no LED colour temperature setting is made, 3000 K will be used by default.

**Service life · Ambient temperature**

Rated temperature $t_a = 25\text{ }^\circ\text{C}$	
LED psu:	> 50,000 h
LED module:	> 200,000 h (L 80 B 50)
	50,000 h (L 90 B 50)

Ambient temperature $t_{a\text{ max}} = 50\text{ }^\circ\text{C}$ (100 %)	
LED psu:	50,000 h
LED module:	100,000 h (L 80 B 50)
	50,000 h (L 90 B 50)

Light technique

Luminaire data for the light planning program DIALux for outdoor lighting, street lighting and indoor lighting as well as luminaire data in EULUMDAT- and IES-format you will find on the BEGA web page www.bega.com.

Article No. 50 792.4

Interior colour options

- white
- matt aluminium
- matt brass
- matt copper

Code number **.1**
Code number **.2**
Code number **.4**
Code number **.6**