

BEGA**50 791.4**

Large-area ceiling luminaire for indoor use

Project · Reference number

Date

Product data sheet

Application

Large-area LED ceiling luminaire · indoor luminaire with high light power and high uniform light distribution. With metal luminaire shield for shielded light deflectetd downwards.

Product description

Large-area LED luminaire »STUDIO LINE«
Aluminium housing shield,
velvet black enamel finish,
Inside hue matt brass
Metal luminaire mounting plate,
finish white enamel
Light-diffusing synthetic luminaire cover
Silicone gasket
Mounting round plate with 6 fixing holes,
Angle 120° · pitch circle \varnothing 1,090 mm and with 2
fixing holes, \varnothing 10 mm on pitch circle \varnothing 450 mm
Connecting terminals 2.5[□] · Plug system
Earth conductor terminal
LED power supply unit
220-240 V \sim 0/50-60 Hz
DALI controllable
A basic isolation exists between power cable
and control line
Safety class I
CE – Conformity mark
Weight: 57.4 kg

Inrush current

Inrush current: 59 A / 165 μ s
Maximum number of luminaires of this
type per miniature circuit breaker:
B10A: 5 luminaires
B16A: 9 luminaires
C10A: 9 luminaires
C16A: 16 luminaires

Light technique

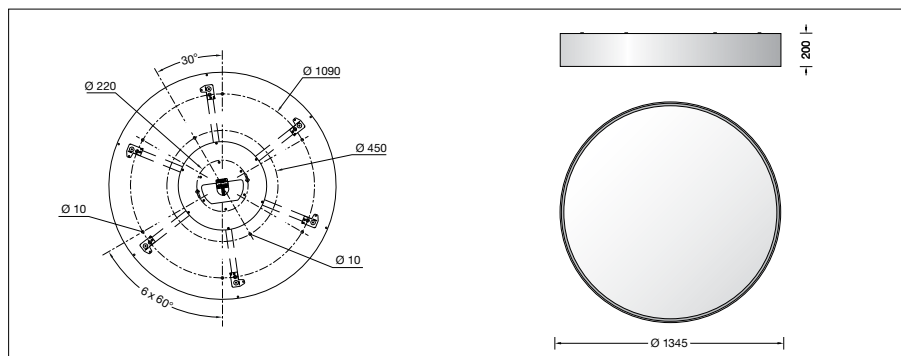
Luminaire data for the light planning program
DIALux for outdoor lighting, street lighting and
indoor lighting as well as luminaire data in
EULUMDAT- and IES-format you will find on the
BEGA web page www.bega.com.

Lamp

Module connected wattage	121.6 W
Luminaire connected wattage	138.2 W
Rated temperature	$t_a = 25$ °C
Ambient temperature	$t_{a \max} = 40$ °C

50 791.4 K3

Module designation	8 x LED-0690/930
Colour temperature	3000 K
Colour rendering index	CRI > 90
Module luminous flux	20320 lm
Luminaire luminous flux	15885 lm
Luminaire luminous efficiency	114,9 lm/W

**Service life · Ambient temperature**

Rated temperature $t_a = 25$ °C	
LED psu:	> 50,000 h
LED module:	> 200,000 h (L.80 B.50) 50,000 h (L.90 B.50)
Ambient temperature $t_{a \max} = 40$ °C (100 %)	
LED psu:	50,000 h
LED module:	> 200,000 h (L.80 B.50) 50,000 h (L.90 B.50)

Article No. 50 791.4

Interior colour options

- white Code number **.1**
- matt aluminium Code number **.2**
- matt brass Code number **.4**
- matt copper Code number **.6**