

BEGA**50 790.6**

Large-area ceiling luminaire for indoor use

Project · Reference number

Date

Product data sheet

Application

Large-area LED ceiling luminaire · indoor luminaire with high light power and high uniform light distribution. With metal luminaire shield for shielded light deflectetd downwards.

Product description

Large-area LED luminaire »STUDIO LINE«
 Aluminium housing shield,
 velvet black enamel finish
 Inside hue matt copper
 Metal luminaire mounting plate,
 finish white enamel
 Light-diffusing synthetic luminaire cover
 Silicone gasket
 Mounting round plate with 3 fixing holes,
 Angle 120° · pitch circle ø 840 mm
 and with 3 fixing holes, ø 10 mm on pitch circle
 ø 790 mm
 Connecting terminals 2.5[□] · Plug system
 Earth conductor terminal
 LED power supply unit
 220-240 V \approx 0/50-60 Hz
 DALI controllable
 A basic isolation exists between power cable
 and control line
 Safety class I
CE – Conformity mark
 Weight: 34.7 kg

Inrush current

Inrush current: 50 A / 209 μ s
 Maximum number of luminaires of this
 type per miniature circuit breaker:
 B 10A: 6 luminaires
 B 16A: 10 luminaires
 C 10A: 10 luminaires
 C 16A: 16 luminaires

Light technique

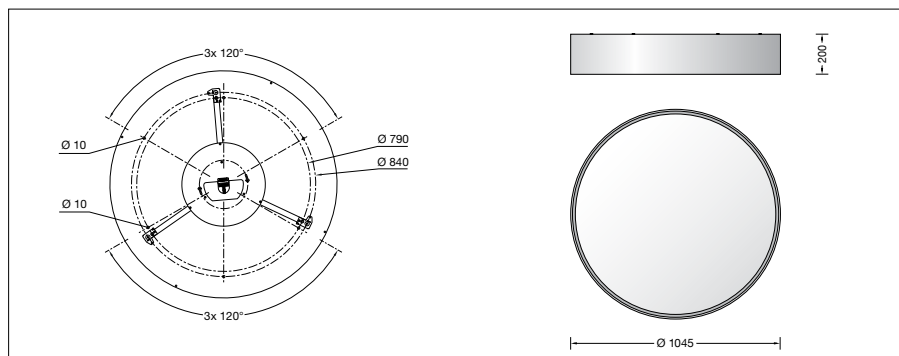
Luminaire data for the light planning program
 DIALux for outdoor lighting, street lighting and
 indoor lighting as well as luminaire data in
 EULUMDAT- and IES-format you will find on the
 BEGA web page www.bega.com.

Lamp

Module connected wattage	92.4 W
Luminaire connected wattage	101 W
Rated temperature	$t_a = 25 \text{ }^\circ\text{C}$
Ambient temperature	$t_{a \text{ max}} = 35 \text{ }^\circ\text{C}$

50 790.6 K3

Module designation	4 x LED-0704/930
Colour temperature	3000 K
Colour rendering index	CRI > 90
Module luminous flux	14960 lm
Luminaire luminous flux	10472 lm
Luminaire luminous efficiency	103,7 lm/W

**Service life · Ambient temperature**

Rated temperature $t_a = 25 \text{ }^\circ\text{C}$	
LED psu:	> 50,000h
LED module:	> 200,000h (L80 B50) 50,000h (L90 B50)
Ambient temperature $t_{a \text{ max}} = 35 \text{ }^\circ\text{C}$ (100 %)	
LED psu:	50,000h
LED module:	> 200,000h (L80 B50) 50,000h (L90 B50)

Article No. 50 790.6

Interior colour options

- white Code number **.1**
- matt aluminium Code number **.2**
- matt brass Code number **.4**
- matt copper Code number **.5**