

**BEGA****50 790.4**

Large-area ceiling luminaire for indoor use

Project · Reference number

Date

## Product data sheet

**Application**

Large-area LED ceiling luminaire · indoor luminaire with high light power and high uniform light distribution. With metal luminaire shield for shielded light deflectetd downwards.

**Product description**

Large-area LED luminaire »STUDIO LINE«  
 Aluminium housing shield,  
 velvet black enamel finish,  
 Inside hue matt brass  
 Metal luminaire mounting plate,  
 finish white enamel  
 Light-diffusing synthetic luminaire cover  
 Silicone gasket  
 Mounting round plate with 3 fixing holes,  
 Angle 120° · pitch circle ø 840 mm  
 and with 3 fixing holes, ø 10 mm on pitch circle  
 ø 790 mm  
 Connecting terminals 2.5<sup>□</sup> · Plug system  
 Earth conductor terminal  
 LED power supply unit  
 220-240 V  $\approx$  0/50-60 Hz  
 DALI controllable  
 A basic isolation exists between power cable  
 and control line  
 Safety class I  
**CE** – Conformity mark  
 Weight: 34.7 kg

**Inrush current**

Inrush current: 50 A / 209  $\mu$ s  
 Maximum number of luminaires of this  
 type per miniature circuit breaker:  
 B 10A: 6 luminaires  
 B 16A: 10 luminaires  
 C 10A: 10 luminaires  
 C 16A: 16 luminaires

**Light technique**

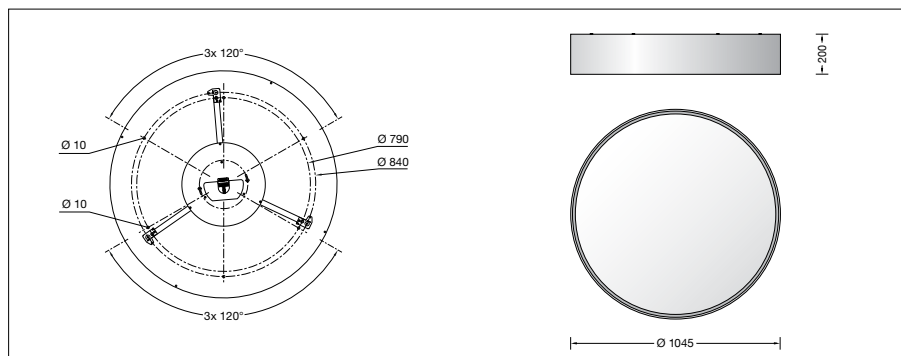
Luminaire data for the light planning program  
 DIALux for outdoor lighting, street lighting and  
 indoor lighting as well as luminaire data in  
 EULUMDAT- and IES-format you will find on the  
 BEGA web page [www.bega.com](http://www.bega.com).

**Lamp**

Module connected wattage	92.4 W
Luminaire connected wattage	101 W
Rated temperature	$t_a = 25\text{ °C}$
Ambient temperature	$t_{a\text{ max}} = 35\text{ °C}$

**50 790.4 K3**

Module designation	4 x LED-0704/930
Colour temperature	3000 K
Colour rendering index	CRI > 90
Module luminous flux	14960 lm
Luminaire luminous flux	10770 lm
Luminaire luminous efficiency	106,6 lm/W

**Service life · Ambient temperature**

Rated temperature $t_a = 25\text{ °C}$	
LED psu:	> 50,000h
LED module:	> 200,000h (L80B50) 50,000h (L90B50)
Ambient temperature $t_{a\text{ max}} = 35\text{ °C}$ (100 %)	
LED psu:	50,000h
LED module:	> 200,000h (L80B50) 50,000h (L90B50)

**Article No. 50 790.4**

Interior colour options

- white Code number **.1**
- matt aluminium Code number **.2**
- matt brass Code number **.4**
- matt copper Code number **.5**