

BEGA**50 750.6**

Pendant luminaire for indoor use

Project · Reference number

Date

Product data sheet**Application**

LED pendant luminaire · indoor luminaire with aluminium housing for non-glare light deflected downwards.

Product description

LED pendant luminaire »STUDIO LINE«
 Die-cast aluminium luminaire housing,
 velvet black enamel finish,
 inside hue matt copper
 Trim ring · Polished aluminium finish
 Light-diffusing silicone lens
 Reflector made of pure anodised aluminium
 Mounting plate with 2 fixing
 holes \varnothing 4.5 mm · 50 mm spacing
 Black flex suspension $2 \times 0,5$ \square
 with 1 steel messenger wire
 Overall length of luminaire approx. 1500 mm
 Connecting terminal 1.5 \square
 LED power supply unit inside canopy
 220-240 V \sim 0/50-60 Hz
 DC 170-280 V
 DALI controllable
 A basic isolation exists between power cable
 and control line
 Safety class I
CE – Conformity mark
 Weight: 1.8 kg

Inrush current

Inrush current: 5 A / 50 μ s
 Maximum number of luminaires of this
 type per miniature circuit breaker:
 B10A: 31 luminaires
 B16A: 50 luminaires
 C10A: 52 luminaires
 C16A: 85 luminaires

Lamp

Module connected wattage	11.5 W
Luminaire connected wattage	13.7 W
Rated temperature	$t_a = 25$ °C
Ambient temperature	$t_{a,max} = 55$ °C

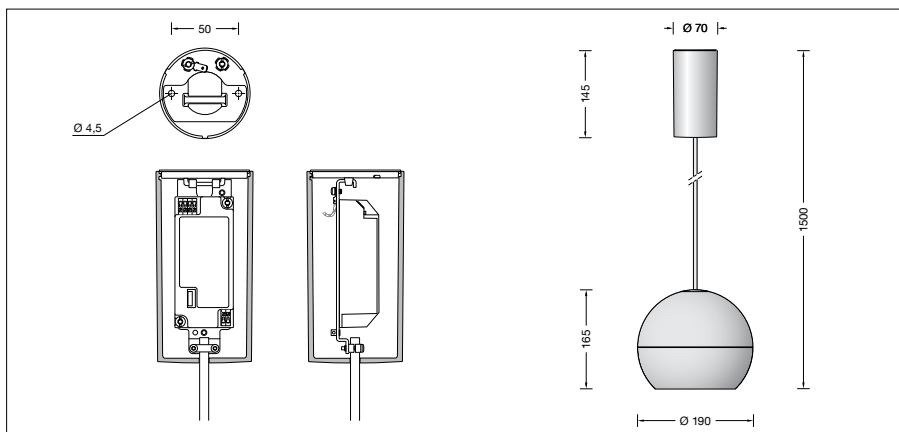
50 750.6 K3

Module designation	LED-0978/930
Colour temperature	3000 K
Colour rendering index	CRI > 90
Module luminous flux	1735 lm
Luminaire luminous flux	1096 lm
Luminaire luminous efficiency	80 lm/W

Service life of the LED

Ambient temperature $t_a = 25$ °C
 – at 380,000h: L70 B50

max. ambient temperature $t_a = 55$ °C
 – at 250,000h: L70 B50

**Article No. 50 750.6**

Interior colour options

- matt aluminium
- matt brass
- matt copper

Code number **.2**Code number **.4**Code number **.6**