

**BEGA****50 750.2**

Pendant luminaire for indoor use

Project · Reference number

Date

## Product data sheet

**Application**

LED pendant luminaire · indoor luminaire with aluminium housing for non-glare light deflected downwards.

**Product description**

LED pendant luminaire »STUDIO LINE«  
 Die-cast aluminium luminaire housing,  
 velvet black enamel finish,  
 inside hue aluminium matt  
 Trim ring · Polished aluminium finish  
 Light-diffusing silicone lens  
 Reflector made of pure anodised aluminium  
 Mounting plate with 2 fixing  
 holes  $\varnothing$  4,5 mm · 50 mm spacing  
 Black flex suspension  $2 \times 0,5$  □  
 with 1 steel messenger wire  
 Overall length of luminaire approx. 1500 mm  
 Connecting terminals  $2.5$  □  
 Earth conductor connection  
 Connecting terminal  $1.5$  □  
 LED power supply unit inside canopy  
 $220-240\text{ V } \sim 0/50-60\text{ Hz}$   
 $\text{DC } 170-280\text{ V}$   
 DALI controllable  
 A basic isolation exists between power cable  
 and control line  
 Safety class I  
**CE** – Conformity mark  
 Weight: 1.8 kg

**Inrush current**

Inrush current:  $5\text{ A} / 50\ \mu\text{s}$   
 Maximum number of luminaires of this  
 type per miniature circuit breaker:  
 B10A: 31 luminaires  
 B16A: 50 luminaires  
 C10A: 52 luminaires  
 C16A: 85 luminaires

**Lamp**

Module connected wattage	11.5 W
Luminaire connected wattage	13.7 W
Rated temperature	$t_a = 25\text{ }^\circ\text{C}$
Ambient temperature	$t_{a\text{max}} = 55\text{ }^\circ\text{C}$

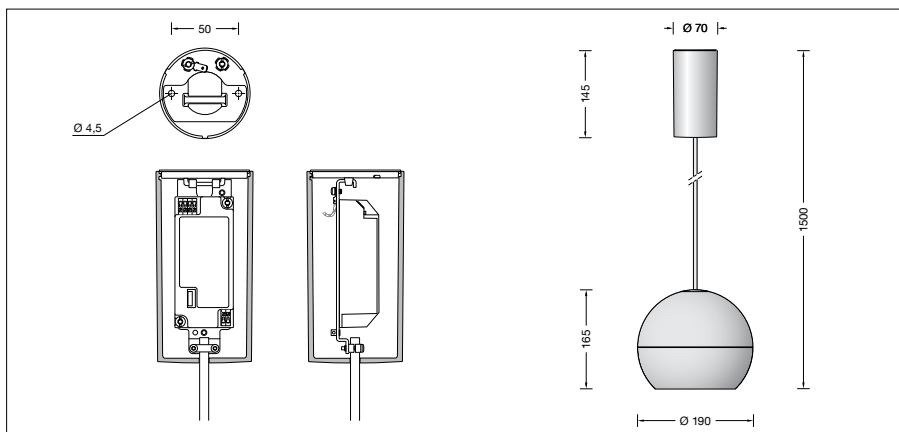
**50 750.2 K3**

Module designation	LED-0978/930
Colour temperature	3000 K
Colour rendering index	CRI > 90
Module luminous flux	1735 lm
Luminaire luminous flux	1218 lm
Luminaire luminous efficiency	88,9 lm/W

**Service life of the LED**

Ambient temperature  $t_a = 25\text{ }^\circ\text{C}$   
 – at 380,000h: L70 B50

max. ambient temperature  $t_a = 55\text{ }^\circ\text{C}$   
 – at 250,000h: L70 B50

**Article No. 50 750.2**

Interior colour options

- matt aluminium
- matt brass
- matt copper

Code number **.2**Code number **.4**Code number **.6**