

**BEGA****50 705.2**

Pendant luminaire for indoor use

Project · Reference number

Date

**Product data sheet****Application**

Pendant luminaire · indoor luminaire for free-radiating and uniform light made of hand-blown opal glass, satin matt. Metal luminaire housing.

**Product description**

Metal luminaire housing, stainless steel finish  
 Hand-blown opal glass, satin matt  
 Black flex suspension  $2 \times 0,75 \square$   
 Overall length of luminaire approx. 2000 mm  
 Connecting terminal DA DA for digital control  
 LED power supply unit inside canopy  
 220-240 V  $\sim$  0/50-60 Hz  
 DC 170-280 V  
 DALI controllable  
 A basic isolation exists between power cable and control line  
 Safety class I  
**CE** – Conformity mark

**Light technique**

Luminaire data for the light planning program DIALux for outdoor lighting, street lighting and indoor lighting as well as luminaire data in EULUMDAT- and IES-format you will find on the BEGA web page [www.bega.com](http://www.bega.com).

**Lamp**

Module connected wattage	13.6 W
Luminaire connected wattage	16.4 W
Rated temperature	$t_a = 25 \text{ }^\circ\text{C}$
Ambient temperature	$t_{a \text{ max}} = 50 \text{ }^\circ\text{C}$

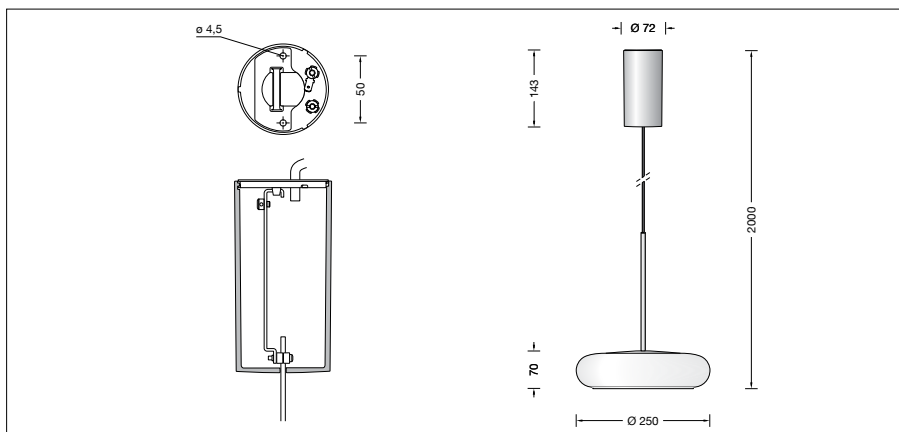
**50 705.2 K3**

Module designation	LED-0405/930
Colour temperature	3000 K
Colour rendering index	CRI > 90
Module luminous flux	2175 lm
Luminaire luminous flux*	1275 lm
Luminaire luminous efficiency*	77,7 lm/W

**50 705.2 K4**

Module designation	LED-0405/940
Colour temperature	4000 K
Colour rendering index	CRI > 90
Module luminous flux	2245 lm
Luminaire luminous flux*	1316 lm
Luminaire luminous efficiency*	80,2 lm/W

\* preliminary data

**Lifetime of the LED**

Ambient temperature  $t_a = 15 \text{ }^\circ\text{C}$   
 – at 50,000h: L90B10  
 – at > 500,000h: L70B50

Ambient temperature  $t_a = 25 \text{ }^\circ\text{C}$   
 – at 50,000h: L90B10  
 – at 463,000h: L70B50

max. ambient temperature  $t_a = 50 \text{ }^\circ\text{C}$   
 – at 50,000h: L80B50  
 – at 102,000h: L70B50

**Article No. 50 705.2**

LED colour temperature optionally 3000 K or 4000 K  
 3000 K – Article number + **K3**  
 4000 K – Article number + **K4**

## Optional finishes

- White enamel
- Stainless steel
- Chrome

code number **.1**  
 code number **.2**  
 code number **.3**