

**BEGA****50 703.5**

Pendant luminaire for indoor use

Project · Reference number

Date

## Product data sheet

**Application**

Pendant luminaire · indoor luminaire with annular metal shield and hand-blown opal glass for reduced lateral glare and high-contrast lighting by deflected light predominantly downwards.

**Product description**

Metal luminaire housing and annular shield, finish velvet black enamel, matt  
Hand-blown opal glass  
Black flex suspension  $2 \times 0,75 \square$   
Overall length of luminaire approx. 2000 mm  
Connecting terminal DA DA for digital control  
LED power supply unit inside canopy  
220-240 V  $\sphericalangle$  0/50-60 Hz  
DC 170-280 V  
DALI controllable  
A basic isolation exists between power cable and control line  
Safety class I  
CE – Conformity mark  
Weight: 1.6 kg

**Light technique**

Luminaire data for the light planning program DIALux for outdoor lighting, street lighting and indoor lighting as well as luminaire data in EULUMDAT- and IES-format you will find on the BEGA web page [www.bega.com](http://www.bega.com).

**Lamp**

Module connected wattage	13.6 W
Luminaire connected wattage	16.4 W
Rated temperature	$t_a = 25 \text{ }^\circ\text{C}$
Ambient temperature	$t_{a \text{ max}} = 50 \text{ }^\circ\text{C}$

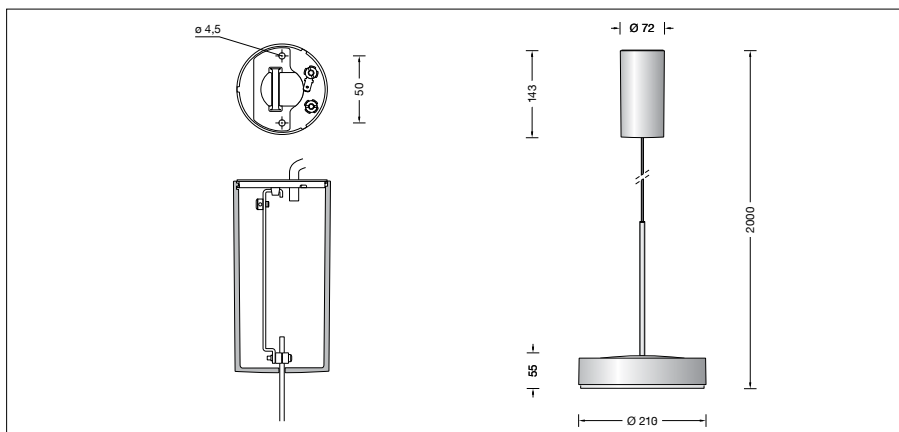
**50 703.5 K3**

Module designation	LED-0405/930
Colour temperature	3000 K
Colour rendering index	CRI > 90
Module luminous flux	2175 lm
Luminaire luminous flux*	1245 lm
Luminaire luminous efficiency*	75,9 lm/W

**50 703.5 K4**

Module designation	LED-0405/940
Colour temperature	4000 K
Colour rendering index	CRI > 90
Module luminous flux	2245 lm
Luminaire luminous flux*	1285 lm
Luminaire luminous efficiency*	78,4 lm/W

\* preliminary data

**Lifetime of the LED**

Ambient temperature  $t_a = 15 \text{ }^\circ\text{C}$   
– at 50,000h: L90B10  
– at > 500,000h: L70B50

Ambient temperature  $t_a = 25 \text{ }^\circ\text{C}$   
– at 50,000h: L90B10  
– at 463,000h: L70B50

max. ambient temperature  $t_a = 50 \text{ }^\circ\text{C}$   
– at 50,000h: L80B50  
– at 102,000h: L70B50

**Article No. 50 703.5**

LED colour temperature optionally 3000 K or 4000 K  
3000 K – Article number + **K3**  
4000 K – Article number + **K4**

## Finish options

- Enamel, white Code number **.1**
- Enamel, velvet black, matt Code number **.5**
- Stainless steel Code number **.2**
- Chrome Code number **.3**