

BEGA**50 702.3**

Pendant luminaire for indoor use

Project · Reference number

Date

Product data sheet**Application**

Pendant luminaire · indoor luminaire with annular metal shield and hand-blown opal glass for reduced lateral glare and high-contrast lighting by deflected light predominantly downwards.

Product description

Metal luminaire housing and annular shield, finish chrome
 Hand-blown opal glass
 Black flex suspension $2 \times 0,5$ □
 Overall length of luminaire approx. 1500 mm
 LED power supply unit inside canopy
 220-240 V \sim 0/50-60 Hz
 Safety class I
CE – Conformity mark

Inrush current

Inrush current: 20 A / 80 μ s
 Maximum number of luminaires of this type per miniature circuit breaker:
 B 10A: 35 luminaires
 B 16A: 56 luminaires
 C 10A: 58 luminaires
 C 16A: 94 luminaires

Light technique

Luminaire data for the light planning program DIALux for outdoor lighting, street lighting and indoor lighting as well as luminaire data in EULUMDAT- and IES-format you will find on the BEGA web page www.bega.com.

Lamp

Module connected wattage 5.9 W
 Luminaire connected wattage 7.5 W
 Rated temperature $t_a = 25$ °C
 Ambient temperature $t_{a \max} = 60$ °C

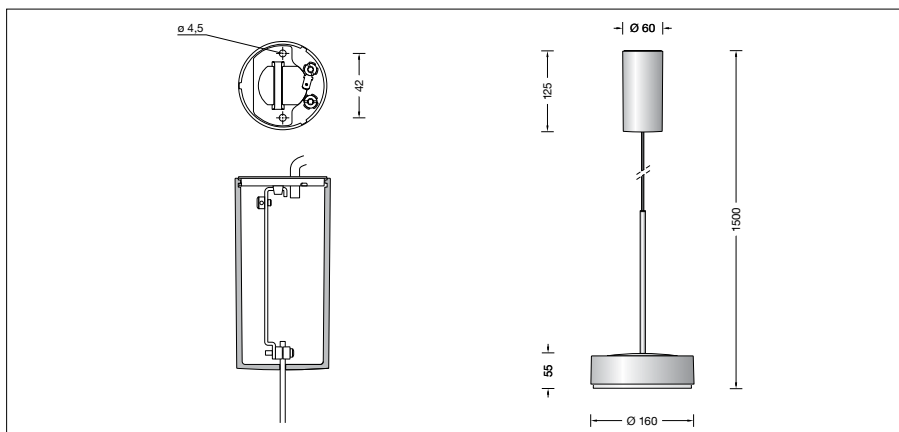
50 702.3 K3

Module designation LED-0404/930
 Colour temperature 3000 K
 Colour rendering index CRI > 90
 Module luminous flux 925 lm
 Luminaire luminous flux* 450 lm
 Luminaire luminous efficiency* 60 lm/W

50 702.3 K4

Module designation LED-0404/940
 Colour temperature 4000 K
 Colour rendering index CRI > 90
 Module luminous flux 955 lm
 Luminaire luminous flux* 464 lm
 Luminaire luminous efficiency* 61,9 lm/W

* preliminary data

**Lifetime of the LED**

Ambient temperature $t_a = 15$ °C
 – at 50,000h: L90B10
 – at > 500,000h: L70B50

Ambient temperature $t_a = 25$ °C
 – at 50,000h: L90B10
 – at > 500,000h: L70B50

max. ambient temperature $t_a = 60$ °C
 – at 50,000h: L80B50
 – at 107,000h: L70B50

Article No. 50 702.3

LED colour temperature optionally 3000 K or 4000 K
 3000 K – Article number + **K3**
 4000 K – Article number + **K4**

Finish options

- Enamel, white Code number **.1**
- Enamel, velvet black, matt Code number **.5**
- Stainless steel Code number **.2**
- Chrome Code number **.3**