

BEGA**50 702.1**

Pendant luminaire for indoor use

Project · Reference number

Date

Product data sheet**Application**

Pendant luminaire · indoor luminaire with annular metal shield and hand-blown opal glass for reduced lateral glare and high-contrast lighting by deflected light predominantly downwards.

Product description

Metal luminaire housing and annular shield, finish white enamel
 Hand-blown opal glass
 Black flex suspension $2 \times 0,5$ □
 Overall length of luminaire approx. 1500 mm
 LED power supply unit inside canopy
 220-240 V \sim 0/50-60 Hz
 Safety class I
CE – Conformity mark
 Weight: 1.3 kg

Inrush current

Inrush current: 20 A / 80 μ s
 Maximum number of luminaires of this type per miniature circuit breaker:
 B 10A: 35 luminaires
 B 16A: 56 luminaires
 C 10A: 58 luminaires
 C 16A: 94 luminaires

Light technique

Luminaire data for the light planning program DIALux for outdoor lighting, street lighting and indoor lighting as well as luminaire data in EULUMDAT- and IES-format you will find on the BEGA web page www.bega.com.

Lamp

Module connected wattage	5.9 W
Luminaire connected wattage	7.5 W
Rated temperature	$t_a = 25$ °C
Ambient temperature	$t_{a \max} = 60$ °C

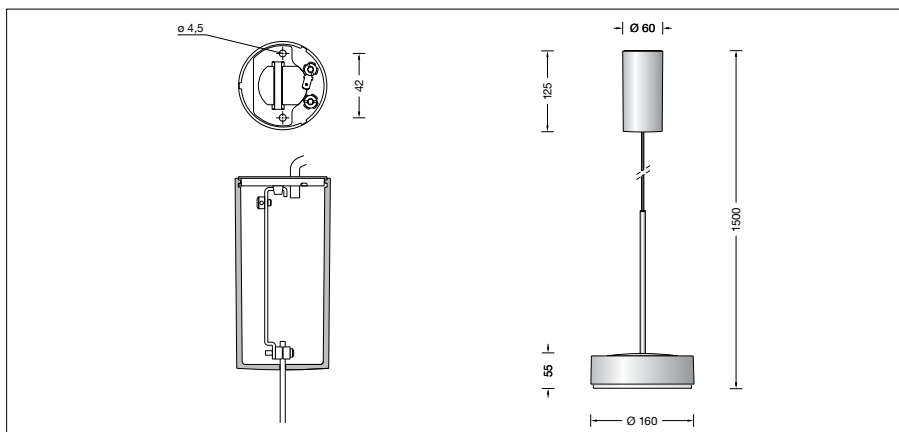
50 702.1 K3

Module designation	LED-0404/930
Colour temperature	3000 K
Colour rendering index	CRI > 90
Module luminous flux	925 lm
Luminaire luminous flux*	450 lm
Luminaire luminous efficiency*	60 lm/W

50 702.1 K4

Module designation	LED-0404/940
Colour temperature	4000 K
Colour rendering index	CRI > 90
Module luminous flux	955 lm
Luminaire luminous flux*	464 lm
Luminaire luminous efficiency*	61,9 lm/W

* preliminary data

**Service life of the LED**

Ambient temperature $t_a = 25$ °C
 – at > 500,000h: L 70 B 50

max. ambient temperature $t_a = 60$ °C
 – at 107,000h: L 70 B 50

Article No. 50 702.1

LED colour temperature optionally 3000 K or 4000 K
 3000 K – Article number + **K3**
 4000 K – Article number + **K4**

Finish options

- Enamel, white Code number **.1**
- Enamel, velvet black, matt Code number **.5**
- Stainless steel Code number **.2**
- Chrome Code number **.3**