

BEGA**50 701.2**

Pendant luminaire for indoor use

Project · Reference number

Date

Product data sheet

Application

LED Pendant luminaire · indoor luminaire with partially satin matt crystal glass and reflector for directed light to provide a high horizontal illuminance.

Metal luminaire housing and canopy.

Product description

Die-cast aluminium housing and metal canopy, stainless steel finish

Crystal glass, partially satin matt, with screw neck

Reflector made of pure anodised aluminium

Transparent flex suspension $5 \times 0,75$ □

Overall length of luminaire approx. 2000 mm

Connection terminal 2.5 □

Earth conductor connection

Connecting terminal DA DA for digital control

LED power supply unit

220-240 V \sim 0/50-60 Hz

DALI controllable

A basic isolation exists between power cable and control line

Safety class I

CE – Conformity mark

Weight: 2.6 kg

Inrush current

Inrush current: 12 A / 24.2 μ s

Maximum number of luminaires of this type per miniature circuit breaker:

B 10A: 50 luminaires

B 16A: 50 luminaires

C 10A: 50 luminaires

C 16A: 50 luminaires

Lamp

Module connected wattage 16.8 W

Luminaire connected wattage 19 W

Rated temperature $t_a = 25$ °C

Ambient temperature $t_{a\max} = 40$ °C

50 701.2 K3

Module designation LED-0800/930

Colour temperature 3000 K

Colour rendering index CRI > 90

Module luminous flux 2440 lm

Luminaire luminous flux 1607 lm

Luminaire luminous efficiency 84,6 lm/W

50 701.2 K4

Module designation LED-0800/940

Colour temperature 4000 K

Colour rendering index CRI > 90

Module luminous flux 2480 lm

Luminaire luminous flux 1633 lm

Luminaire luminous efficiency 85,9 lm/W

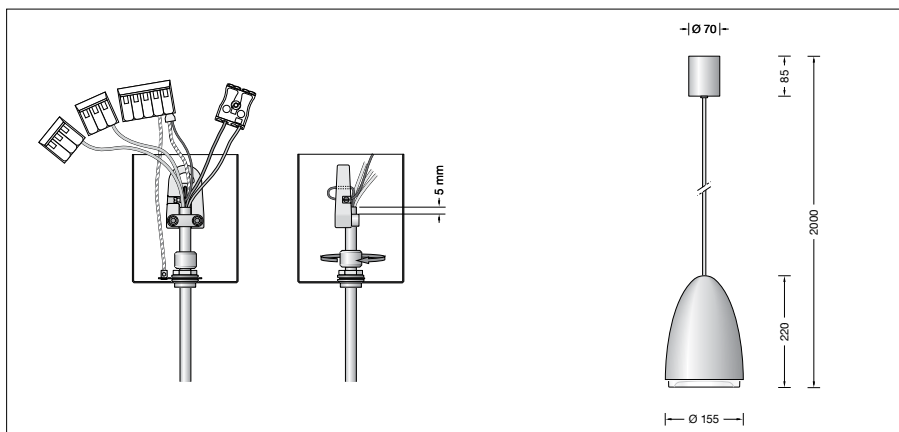
Lifetime of the LED

Ambient temperature $t_a = 25$ °C

– at 300,000h: L 70 B 50

max. ambient temperature $t_a = 40$ °C

– at 230,000h: L 70 B 50

**Light technique**

Luminaire data for the light planning program DIALux for outdoor lighting, street lighting and indoor lighting as well as luminaire data in EULUMDAT- and IES-format you will find on the BEGA web page www.bega.com.

Article No. 50 701.2

LED colour temperature optionally 3000 K or 4000 K
3000 K – Article number + **K3**
4000 K – Article number + **K4**

Optional finishes

- White enamel
- Stainless steel
- Chrome

code number **.1**
code number **.2**
code number **.3**