

**BEGA****50 700.2**

Pendant luminaire for indoor use

Project · Reference number

Date

## Product data sheet

**Application**

LED Pendant luminaire · indoor luminaire with partially satin matt crystal glass and reflector for directed light to provide a high horizontal illuminance.

Metal luminaire housing and canopy.

**Product description**

Die-cast aluminium housing and metal canopy, stainless steel finish

Crystal glass, partially satin matt, with screw neck

Reflector made of pure anodised aluminium

Transparent flex suspension  $5 \times 0,75$  □

Overall length of luminaire approx. 2000 mm

Connection terminal 2.5□

Earth conductor connection

Connecting terminal for digital control

LED power supply unit

220-240 V  $\sim$  0/50-60 Hz

DC 176-276 V

DALI controllable

A basic isolation exists between power cable and control line

Safety class I

CE – Conformity mark

Weight: 2.0 kg

**Inrush current**

Inrush current: 12 A / 24.2  $\mu$ s

Maximum number of luminaires of this type per miniature circuit breaker:

B 10A: 50 luminaires

B 16A: 50 luminaires

C 10A: 50 luminaires

C 16A: 50 luminaires

**Lamp**

Module connected wattage

11.5 W

Luminaire connected wattage

13.4 W

Rated temperature

$t_a = 25$  °C

Ambient temperature

$t_{a \max} = 30$  °C

**50 700.2 K3**

Module designation

LED-0800/930

Colour temperature

3000 K

Colour rendering index

CRI > 90

Module luminous flux

1735 lm

Luminaire luminous flux

1178 lm

Luminaire luminous efficiency

87,9 lm/W

**50 700.2 K4**

Module designation

LED-0800/940

Colour temperature

4000 K

Colour rendering index

CRI > 90

Module luminous flux

1760 lm

Luminaire luminous flux

1195 lm

Luminaire luminous efficiency

89,2 lm/W

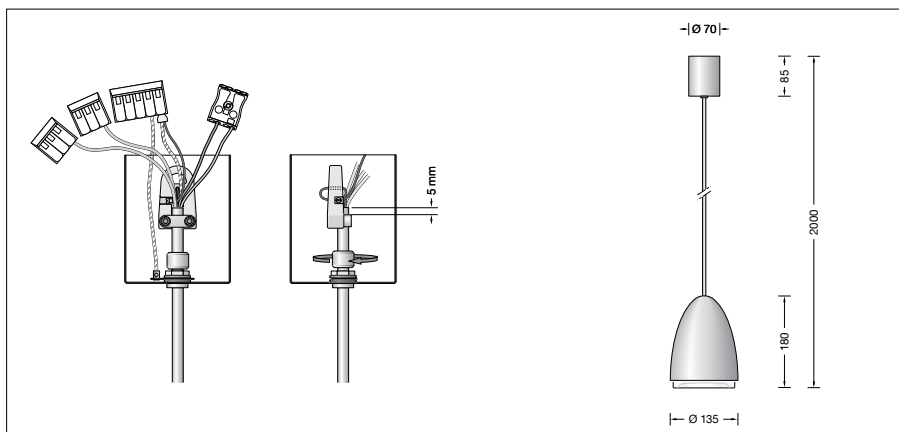
**Service life of the LED**

Ambient temperature  $t_a = 25$  °C

– at 275,000h: L 70 B 50

max. ambient temperature  $t_a = 30$  °C

– at 240,000h: L 70 B 50

**Light technique**

Luminaire data for the light planning program DIALux for outdoor lighting, street lighting and indoor lighting as well as luminaire data in EULUMDAT- and IES-format you will find on the BEGA web page [www.bega.com](http://www.bega.com).

**Article No. 50 700.2**

LED colour temperature optionally 3000 K or 4000 K  
3000 K – Article number + **K3**  
4000 K – Article number + **K4**

Optional finishes

- White enamel
- Stainless steel
- Chrome

code number **.1**  
code number **.2**  
code number **.3**