

BEGA**50 635**

Recessed luminaire for indoor use



Project · Reference number

Date

Product data sheet

Application

LED recessed ceiling and wall luminaire · indoor luminaire with hand-blown opal glass, satin matt and metal housing for connection to external LED power supply unit.

They are ideal for places where a soft and uniform lighting distribution is required.

For installation into ceilings or walls with a shallow depth in interior areas.

Product description

Luminaire housing made of metal

Opal glass, satin matt, with screw neck

Silicone gasket

Fixing is achieved by using two adjustable wedge-shaped claws

2 connecting cables with strain relief and plug connector system for BEGA power supply unit,

on/off or DALI

Safety class III

CE – Conformity mark

Weight: 1.6 kg

Light technique

Luminaire data for the light planning program DIALux for outdoor lighting, street lighting and indoor lighting as well as luminaire data in EULUMDAT- and IES-format you will find on the BEGA web page www.bega.com.

Lamp

Module connected wattage 9.6 W

Luminaire connected wattage 11.7 W

Rated temperature $t_a = 25 \text{ }^\circ\text{C}$

Ambient temperature $t_{a \text{ max}} = 40 \text{ }^\circ\text{C}$

50 635 K3

Module designation LED-0328/930

Colour temperature 3000 K

Colour rendering index CRI > 90

Module luminous flux 1555 lm

Luminaire luminous flux 1268 lm

Luminaire luminous efficiency 108,4 lm/W

50 635 K4

Module designation LED-0328/940

Colour temperature 4000 K

Colour rendering index CRI > 90

Module luminous flux 1605 lm

Luminaire luminous flux 1309 lm

Luminaire luminous efficiency 111,9 lm/W

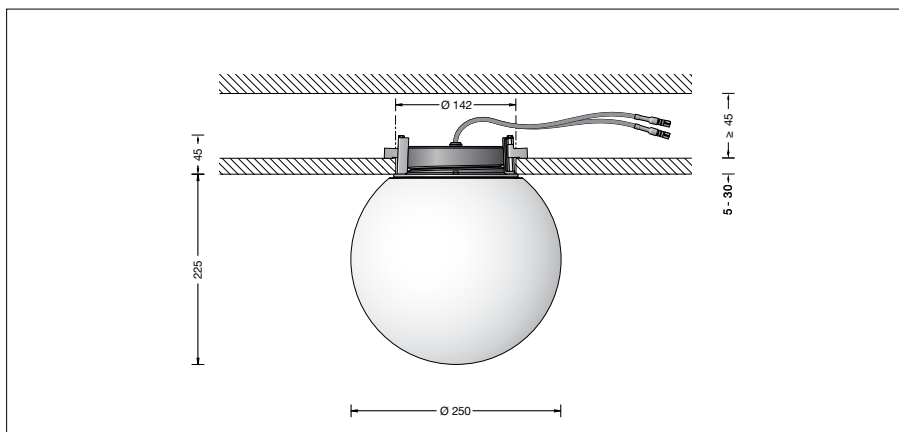
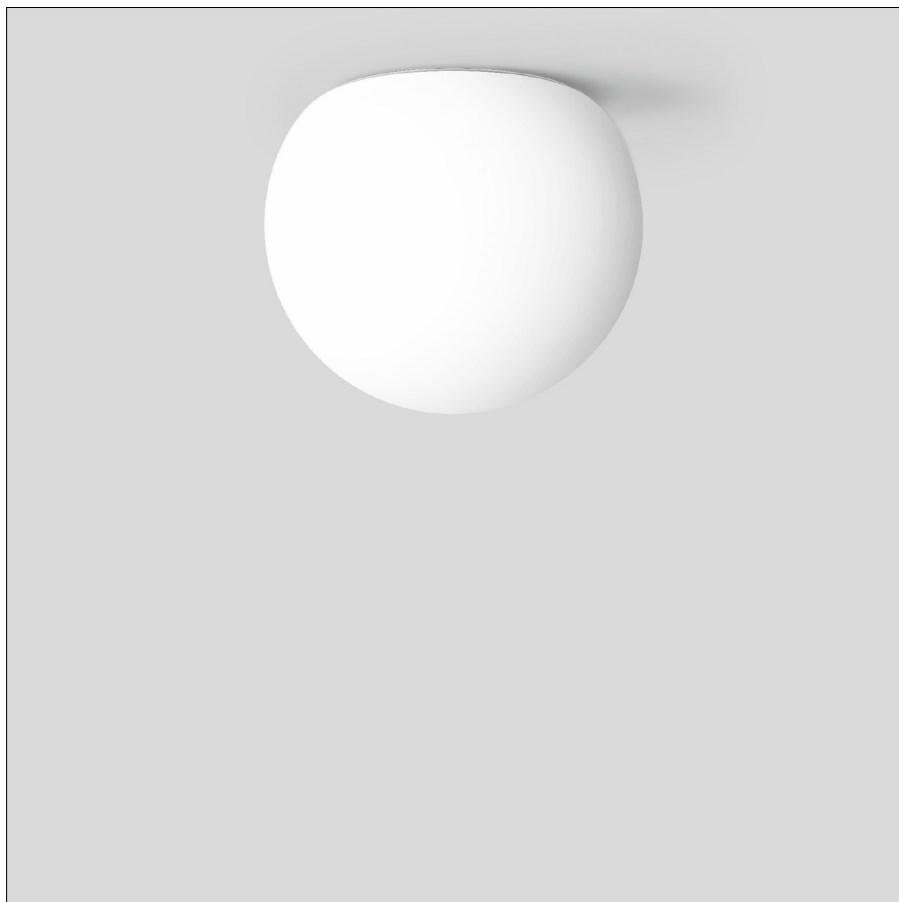
Service life of the LED

Ambient temperature $t_a = 25 \text{ }^\circ\text{C}$

– at 497,000h: L70 B50

max. ambient temperature $t_a = 40 \text{ }^\circ\text{C}$

– at 194,000h: L70 B50



Accessories

Power supply units for LED luminaires 220-240 V · 0/50-60 Hz with strain relief and plug connector system.

13 176 Power supply unit on/off

13 203 Power supply unit DALI

The power supply units are only suitable for the operation of one LED luminaire.

13 025 Installation housing

For the accessories a separate instructions for use can be provided upon request.

Article No. 50 635

LED colour temperature optionally 3000 K or 4000 K

3000 K – Article number + **K3**

4000 K – Article number + **K4**