

**BEGA****50 634**

Recessed luminaire for indoor use



Project · Reference number

Date

## Product data sheet

### Application

LED recessed ceiling and wall luminaire · indoor luminaire with hand-blown opal glass, satin matt and metal housing for connection to external LED power supply unit. They are ideal for places where a soft and uniform lighting distribution is required. For installation into ceilings or walls with a shallow depth in interior areas.

### Product description

Luminaire housing made of metal  
Opal glass, satin matt, with screw neck  
Silicone gasket  
Fixing is achieved by using two adjustable wedge-shaped claws  
1 connecting cable with strain relief and plug connector system for BEGA power supply unit, on/off or DALI  
Safety class III   
**CE** – Conformity mark  
Weight: 1.2 kg

### Light technique

Luminaire data for the light planning program DIALux for outdoor lighting, street lighting and indoor lighting as well as luminaire data in EULUMDAT- and IES-format you will find on the BEGA web page [www.bega.com](http://www.bega.com).

### Lamp

Module connected wattage	8.2 W
Luminaire connected wattage	10 W
Rated temperature	$t_a = 25 \text{ °C}$
Ambient temperature	$t_{a \text{ max}} = 35 \text{ °C}$

### 50 634 K3

Module designation	LED-0329/930
Colour temperature	3000 K
Colour rendering index	CRI > 90
Module luminous flux	1040 lm
Luminaire luminous flux	832 lm
Luminaire luminous efficiency	83,2 lm/W

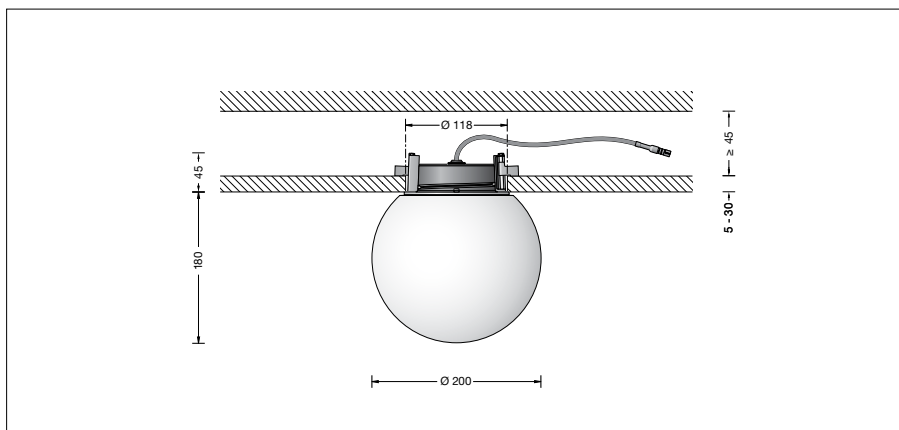
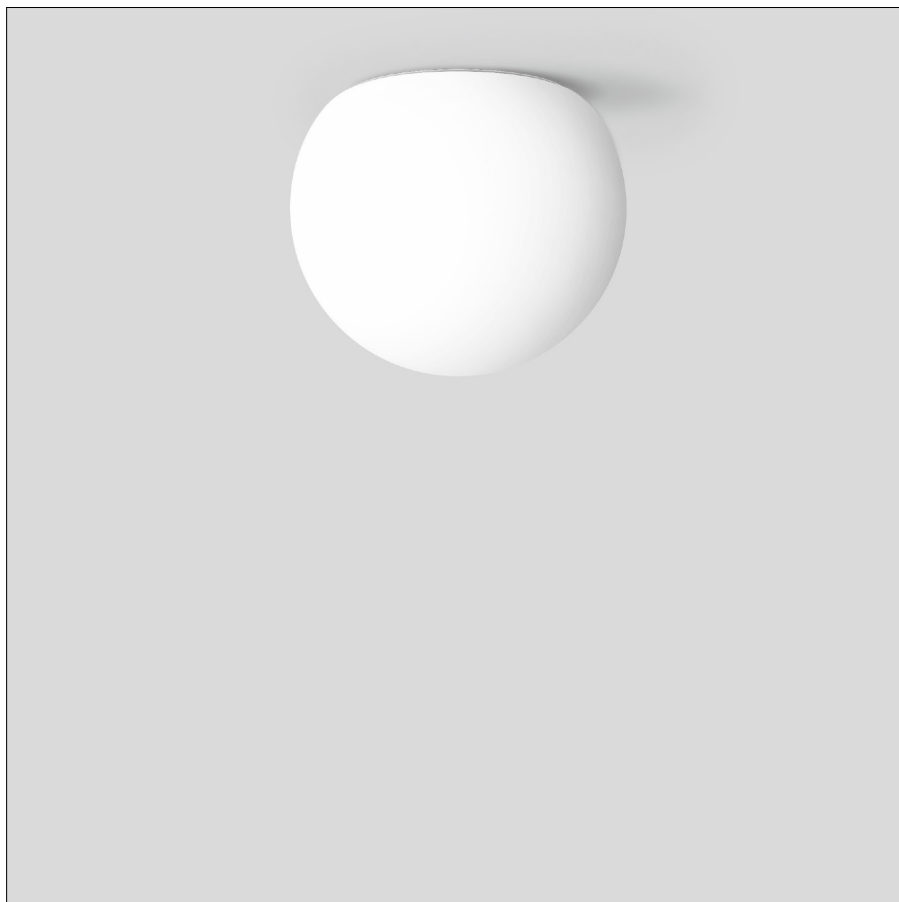
### 50 634 K4

Module designation	LED-0329/940
Colour temperature	4000 K
Colour rendering index	CRI > 90
Module luminous flux	1080 lm
Luminaire luminous flux	864 lm
Luminaire luminous efficiency	86,4 lm/W

### Service life of the LED

Ambient temperature  $t_a = 25 \text{ °C}$   
– at 267,000h: L70B50

max. ambient temperature  $t_a = 35 \text{ °C}$   
– at 146,000h: L70B50



### Accessories

Power supply units for LED luminaires 220-240 V · 0/50-60 Hz with strain relief and plug connector system.

- 13 206** Power supply unit on/off
- 13 207** Power supply unit DALI

The power supply units are only suitable for the operation of one LED luminaire.

- 13 024** Installation housing

For the accessories a separate instructions for use can be provided upon request.

### Article No. 50 634

LED colour temperature optionally 3000 K or 4000 K  
3000 K – Article number + **K3**  
4000 K – Article number + **K4**