

BEGA**50 586.6**

Pendant luminaire for indoor use

Project · Reference number

Date

Product data sheet

Application

LED pendant luminaire · indoor luminaire with aluminium housing for non-glare light deflected downwards.

Some of the light is emitted upwards and softly highlights the exterior finish of the upper luminaire cylinder.

Product description

LED pendant luminaire »STUDIO LINE«

Aluminium luminaire housing,

velvet black enamel finish,

inside hue matt copper

Light-diffusing silicone lens

Mounting plate with 2 fixing

holes \varnothing 4.5 mm · 50 mm spacing

Black flex suspension $2 \times 0,5$ □

Overall length of luminaire approx. 2000 mm

Connecting terminals 1,5 □

Earth conductor terminal

LED power supply unit inside canopy

220-240 V \sim 0/50-60 Hz

Safety class I

CE – Conformity mark

Weight: 0.7 kg

Inrush current

Inrush current: 12 A / 24.2 μ s

Maximum number of luminaires of this type per miniature circuit breaker:

B10A: 50 luminaires

B16A: 50 luminaires

C10A: 50 luminaires

C16A: 50 luminaires

Lamp

Module connected wattage 15.4 W

Luminaire connected wattage 17.8 W

Rated temperature $t_a = 25$ °C

Ambient temperature $t_{a,max} = 35$ °C

50 586.6 K3

Module designation LED-0910/930

Colour temperature 3000 K

Colour rendering index CRI > 90

Module luminous flux 1780 lm

Luminaire luminous flux 684 lm

Luminaire luminous efficiency 38,4 lm/W

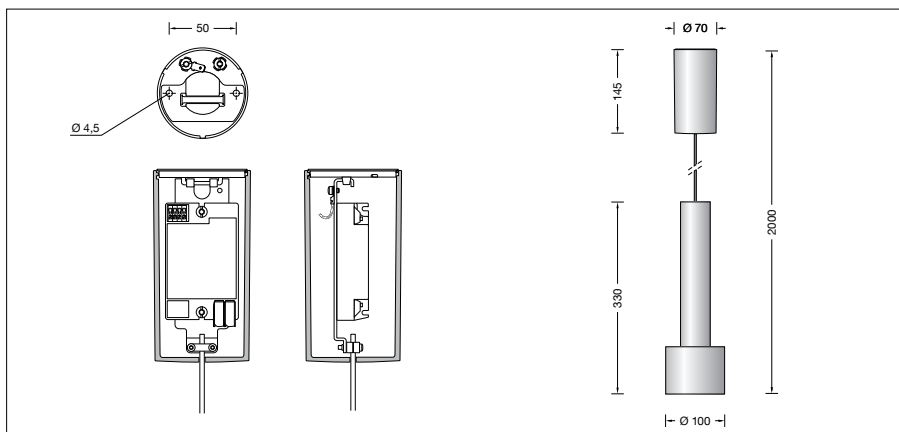
Service life of the LED

Ambient temperature $t_a = 25$ °C

– at 103,000h: L70 B50

max. ambient temperature $t_a = 35$ °C

– at 60,000h: L70 B50

**Article No. 50 586.6**

Interior colour options

- matt aluminium
- matt brass
- matt copper

Code number **.2**

Code number **.4**

Code number **.6**