

BEGA**50 555.3**

Pendant luminaire for large rooms · Chandelier for indoor use

Project · Reference number

Date

Product data sheet**Application**

LED chandelier · indoor luminaire for unshielded and uniform light with hand-blown opal glass, metal housing and rod suspension.
The luminaire features high light output.
Light emission on one side.

Product description

Polished aluminium chandelier, rod suspension and canopy
Hand-blown opal glasses with screw neck
Diameter of rod 20 mm
Rod suspension in single units each 600 mm in length
Overall length of luminaire approx. 1985 mm
Connection terminal 2.5[□]
Earth conductor connection
LED power supply unit inside canopy
100-277 V ~ 50/60 Hz
DALI controllable
A basic isolation exists between power cable and control line
Safety class I
CE – Conformity mark
Weight: 25.6 kg

Lamp

Module connected wattage	114 W
Luminaire connected wattage	130 W
Rated temperature	$t_a = 25\text{ °C}$
Ambient temperature	$t_{a\text{ max}} = 55\text{ °C}$

50 555.3 K3

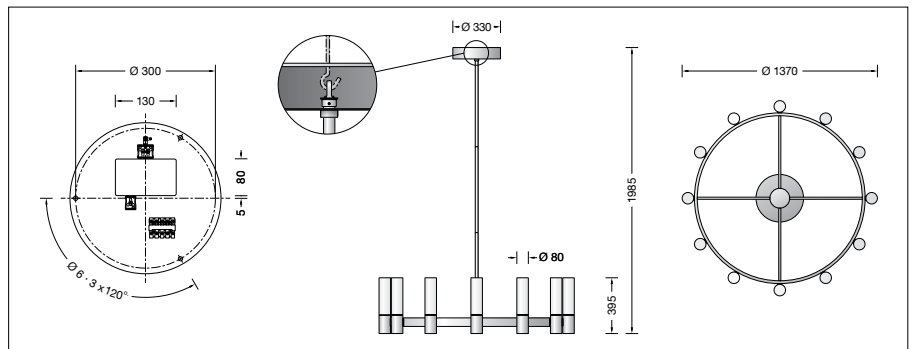
Module designation	12x LED-0878/930
Colour temperature	3000 K
Colour rendering index	CRI > 90
Module luminous flux	19200 lm
Luminaire luminous flux	14808 lm
Luminaire luminous efficiency	113,9 lm/W

50 555.3 K4

Module designation	12x LED-0878/940
Colour temperature	4000 K
Colour rendering index	CRI > 90
Module luminous flux	20100 lm
Luminaire luminous flux	15279 lm
Luminaire luminous efficiency	117,5 lm/W

Light technique

Luminaire data for the light planning program DIALux for outdoor lighting, street lighting and indoor lighting as well as luminaire data in EULUMDAT- and IES-format you will find on the BEGA web page www.bega.com.

**Article No. 50 555.3**

LED colour temperature optionally 3000K or 4000K
3000 K – Article number + **K3**
4000 K – Article number + **K4**