

**BEGA****50 549.2**

Pendant luminaire for indoor use

Project · Reference number

Date

## Product data sheet

**Application**

LED pendant luminaire · indoor luminaire  
with impact resistant synthetic diffuser and  
metal housing for non-glare light deflected  
downwards.

**Product description**

LED pendant luminaire »STUDIO LINE«  
Aluminium luminaire housing,  
velvet white enamel finish,  
Inside hue matt aluminium  
Impact resistant synthetic diffuser, white,  
with bayonet closure  
Mounting plate with 2 fixing  
holes  $\varnothing$  4.5 mm · 50 mm spacing  
White flex suspension  $5 \times 0,7$  □  
with 1 steel messenger wire  
Overall length of luminaire approx. 2000 mm  
Connection terminal 2.5 □  
Earth conductor connection  
Connecting terminal for digital control  
LED power supply unit  
220-240 V  $\approx$  0/50-60 Hz  
DALI controllable  
A basic isolation exists between power cable  
and control line  
Safety class I  
CE – Conformity mark  
Weight: 5.9 kg

**Light technique**

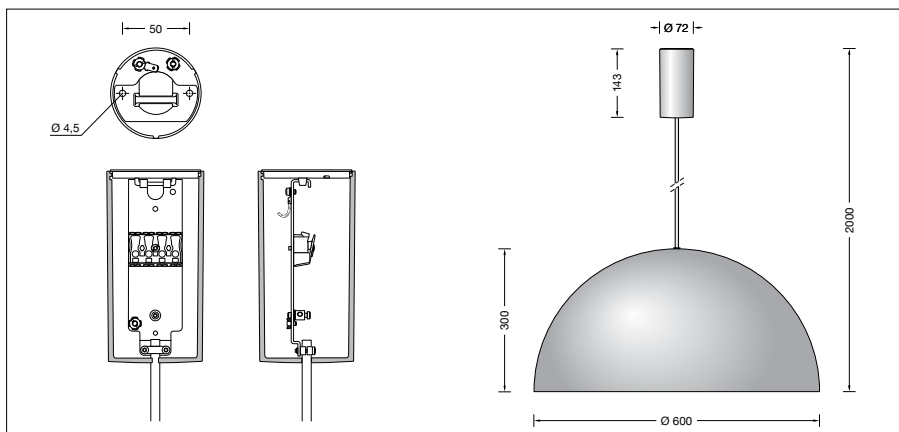
Luminaire data for the light planning program  
DIALux for outdoor lighting, street lighting and  
indoor lighting as well as luminaire data in  
EULUMDAT- and IES-format you will find on the  
BEGA web page [www.bega.com](http://www.bega.com).

**Lamp**

Module connected wattage	43.5 W
Luminaire connected wattage	47.8 W
Rated temperature	$t_a = 25$ °C
Ambient temperature	$t_{a \max} = 40$ °C

**50 549.2 K3**

Colour temperature	3000 K
Colour rendering index	CRI > 90
Module luminous flux	5505 lm
Luminaire luminous flux	3163 lm
Luminaire luminous efficiency	66,2 lm/W

**Service life of the LED**

Ambient temperature  $t_a = 25$  °C  
– at 107,000h: L 70 B 50

max. ambient temperature  $t_a = 40$  °C  
– at 45,000h: L 70 B 50

Ambient temperature  $t_{a \max} = 50$  °C (75 %)  
LED psu: 50,000h  
LED module: 50,000h

BEGA Thermal Control® protects temperature-sensitive luminaire components by temporarily limiting the nominal power at high temperatures.

**Article No. 50 549.2**

Interior colour options

- white
- matt aluminium
- matt brass
- matt copper

Code number **.1**Code number **.2**Code number **.4**Code number **.6**