

**BEGA****50 423.2**

Pendant luminaire for indoor use

Project · Reference number

Date

**Product data sheet****Application**

LED pendant luminaire · indoor luminaire with aluminium housing for non-glare light deflected downwards.

The used LED technique offers durability and optimal light output with low power consumption at the same time.

**Product description**

LED pendant luminaire »STUDIO LINE«

Aluminium luminaire housing,

velvet white enamel finish,

Inside hue matt aluminium

Light-diffusing silicone lens

Mounting plate with 2 fixing holes  $\varnothing$  4.5 mm · 42 mm spacing

White flex suspension  $2 \times 0.5^{\square}$

Overall length of luminaire ~2000 mm

Connecting terminals  $2.5^{\square}$

Earth conductor connection

LED power supply unit inside canopy

220-240 V  $\sim$  0/50-60 Hz

Safety class I

**CE** – Conformity mark

Weight: 1.0 kg

**Inrush current**

Inrush current: 20 A / 80  $\mu$ s

Maximum number of luminaires of this type per miniature circuit breaker:

B 10A: 35 luminaires

B 16A: 56 luminaires

C 10A: 58 luminaires

C 16A: 94 luminaires

**Lamp**

Module connected wattage 10.5 W

Luminaire connected wattage 12.4 W

Rated temperature  $t_a = 25^{\circ}\text{C}$

Ambient temperature  $t_{a,max} = 45^{\circ}\text{C}$

Module designation LED-0850/930

Colour temperature 3000 K

Colour rendering index  $R_a > 90$

Module luminous flux 1320 lm

Luminaire luminous flux\* 462 lm

Luminaire luminous efficiency\* 37,3 lm/W

\* preliminary data

**Lifetime of the LED**

Ambient temperature  $t_a = 15^{\circ}\text{C}$

– at 50,000h: L90B10

– at 334,000h: L70B50

Ambient temperature  $t_a = 25^{\circ}\text{C}$

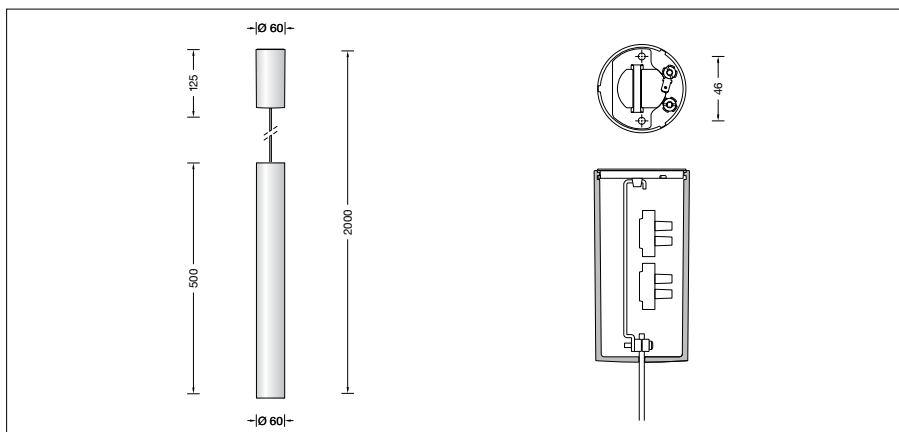
– at 50,000h: L80B10

– at 181,000h: L70B50

max. ambient temperature  $t_a = 45^{\circ}\text{C}$

– at 50,000h: L70B50

– at 59,000h: L70B50

**Article No. 50 423.2**

Interior colour options

- matt aluminium
- matt brass
- matt copper

Code number **.2**

Code number **.4**

Code number **.6**