

BEGA**50 422.4**

Pendant luminaire for indoor use

Project · Reference number

Date

Product data sheet**Application**

LED pendant luminaire · indoor luminaire with aluminium housing for non-glare light deflected downwards.

The used LED technique offers durability and optimal light output with low power consumption at the same time.

Product description

LED pendant luminaire »STUDIO LINE«

Aluminium housing shield,

velvet white enamel finish,

Inside hue matt brass

Light-diffusing silicone lens

Mounting plate with 2 fixing

holes \varnothing 4.5 mm · 42 mm spacing

White flex suspension $2 \times 0.5^{\square}$

Overall length of luminaire approx. 2000 mm

Connecting terminals 2.5^{\square}

Earth conductor connection

LED power supply unit inside canopy

220-240 V \sim 0/50-60 Hz

Safety class I

CE – Conformity mark

Weight: 0.8 kg

Inrush current

Inrush current: 20 A / 80 μ s

Maximum number of luminaires of this type per miniature circuit breaker:

B 10 A: 35 luminaires

B 16 A: 56 luminaires

C 10 A: 58 luminaires

C 16 A: 94 luminaires

Lamp

Module connected wattage 7.2 W

Luminaire connected wattage 9 W

Rated temperature $t_a = 25^{\circ}\text{C}$

Ambient temperature $t_{a,max} = 45^{\circ}\text{C}$

50 422.4 K3

Module designation LED-0689/930

Colour temperature 3000 K

Colour rendering index CRI > 90

Module luminous flux 1070 lm

Luminaire luminous flux* 336 lm

Luminaire luminous efficiency* 37,3 lm/W

* preliminary data

Lifetime of the LED

Ambient temperature $t_a = 15^{\circ}\text{C}$

– at 50,000h: L90B10

– at > 500,000h: L70B50

Ambient temperature $t_a = 25^{\circ}\text{C}$

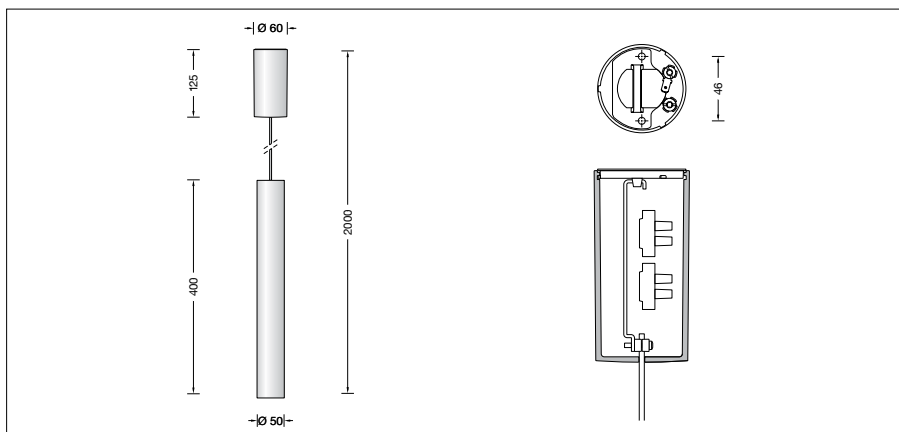
– at 50,000h: L80B10

– at 267,000h: L70B50

max. ambient temperature $t_a = 45^{\circ}\text{C}$

– at 50,000h: L80B50

– at 83,000h: L70B50

**Article No. 50 422.4**

Interior colour options

- matt aluminium
- matt brass
- matt copper

Code number **.2**

Code number **.4**

Code number **.6**