

BEGA**50 369.6**

Large-area pendant luminaire for indoor use

Project · Reference number

Date

Product data sheet**Application**

Large-area LED pendant luminaire · indoor luminaire with high light power, high uniform light distribution and adjustable colour temperature (Tunable White). With luminaire shield for shielded light deflected downwards. Metal luminaire housing and 4 steel suspension wires.

Product description

Large-area LED pendant luminaire
STUDIO LINE

Aluminium luminaire housing,
velvet white enamel finish

Inside hue matt copper

Metal luminaire housing and metal canopy,
finish white enamel

Impact resistant synthetic diffuser, white

Silicone gasket

Transparent flex suspension 5 × 0,75 □

Steel wire suspension

Overall length of luminaire approx. 4000 mm

Connecting terminal 2.5□

with plug connection

Earth conductor connection

2-pole connecting terminal for
digital control

LED power supply unit

220-240 V ~ 0/50-60 Hz

DC 176-280 V

DC Start ≥ 190 V

DALI controllable (Device Type 8 for Tunable
White according to IEC 62386-209)

A basic isolation exists between power cable
and control line

Safety class I

CE – Conformity mark

Weight: 46.1 kg

Inrush current

Inrush current: 73 A / 189 μs

Maximum number of luminaires of this
type per miniature circuit breaker:

B 10A: 5 luminaires

B 16A: 9 luminaires

C 10A: 9 luminaires

C 16A: 15 luminaires

Lamp

Module connected wattage 123.2 W

Luminaire connected wattage 144 W

Rated temperature $t_a = 25\text{ °C}$

Ambient temperature $t_{a\text{max}} = 40\text{ °C}$

Module designation 8x LED-0702/9TW

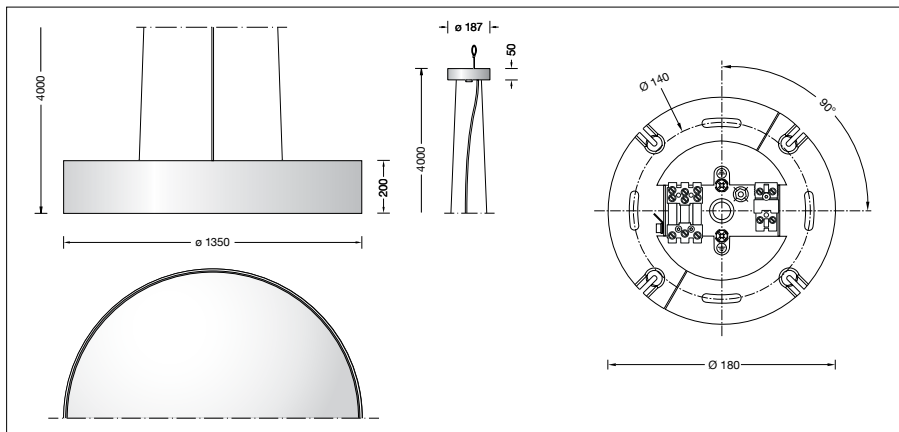
Colour temperature adjust. 2700 - 6500 K

Colour rendering index $R_a > 90$

Module luminous flux 17560 lm

Luminaire luminous flux 13179 lm

Luminaire luminous efficiency 91,5 lm/W

**Setting the colour temperature**

The LED colour temperature of the luminaire
can be set from 2700 to 6500 K ("Tunable
White").

Please note: To be able to set the LED
colour temperature, the controller used must
support DALI Device Type 8. If no LED colour
temperature setting is made, 3000 K will be
used by default.

Lifetime of the LED

Ambient temperature $t_a = 15\text{ °C}$

– at 50,000 h: L90B10

– at > 500,000 h: L70B50

Ambient temperature $t_a = 25\text{ °C}$

– at 50,000 h: L90B10

– at > 500,000 h: L70B50

max. ambient temperature $t_a = 40\text{ °C}$

– at 50,000 h: L90B10

– at 322,000 h: L70B50

Light technique

Luminaire data for the light planning program
DIALux for outdoor lighting, street lighting and
indoor lighting as well as luminaire data in
EULUMDAT- and IES-format you will find on the
BEGA web page www.bega.com.

Article No. 50 369.6

Interior colour options

- matt aluminium
- matt brass
- matt copper

Code number .2

Code number .4

Code number .6