

**BEGA****50 369.2**

Large-area pendant luminaire for indoor use

Project · Reference number

Date

**Product data sheet****Application**

Large-area LED pendant luminaire · indoor luminaire with high light power, high uniform light distribution and adjustable colour temperature (Tunable White). With luminaire shield for shielded light deflected downwards. Metal luminaire housing and 4 steel suspension wires.

**Product description**

Large-area LED pendant luminaire  
STUDIO LINE

Aluminium luminaire housing,  
velvet white enamel finish,

Inside hue matt aluminium

Metal luminaire housing and metal canopy,  
finish white enamel

Impact resistant synthetic diffuser, white  
Silicone gasket

Transparent flex suspension 5 × 0,75 □

Steel wire suspension

Overall length of luminaire approx. 4000 mm

Connecting terminal 2.5□

with plug connection

Earth conductor connection

2-pole connecting terminal for

digital control

LED power supply unit

220-240 V ~ 0/50-60 Hz

DC 176-280 V

DC Start ≥ 190 V

DALI controllable (Device Type 8 for Tunable  
White according to IEC 62386-209)

A basic isolation exists between power cable  
and control line

Safety class I

CE – Conformity mark

Weight: 46.1 kg

**Inrush current**

Inrush current: 105 A / 189 μs

Maximum number of luminaires of this  
type per miniature circuit breaker:

B 10A: 3 luminaires

B 16A: 6 luminaires

C 10A: 6 luminaires

C 16A: 10 luminaires

**Lamp**

Module connected wattage 123.2 W

Luminaire connected wattage 144 W

Rated temperature  $t_a = 25\text{ °C}$

Ambient temperature  $t_{a\text{ max}} = 40\text{ °C}$

Module designation 8x LED-0702/9TW

Colour temperature adjust. 2700 - 6500 K

Colour rendering index  $R_a > 90$

Module luminous flux 17560 lm

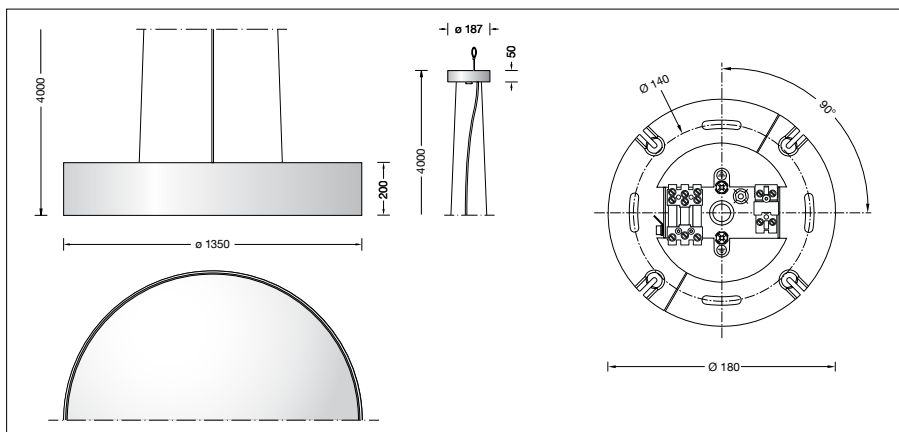
Luminaire luminous flux 14003 lm

Luminaire luminous efficiency 97,2 lm/W

**Setting the colour temperature**

The LED colour temperature of the luminaire  
can be set from 2700 to 6500 K ("Tunable  
White").

Please note: To be able to set the LED  
colour temperature, the controller used must  
support DALI Device Type 8. If no LED colour  
temperature setting is made, 3000 K will be  
used by default.

**Lifetime of the LED**

Ambient temperature  $t_a = 15\text{ °C}$

– at 50,000 h: L90B10

– at > 500,000 h: L70B50

Ambient temperature  $t_a = 25\text{ °C}$

– at 50,000 h: L90B10

– at > 500,000 h: L70B50

max. ambient temperature  $t_a = 40\text{ °C}$

– at 50,000 h: L90B10

– at 332,000 h: L70B50

**Light technique**

Luminaire data for the light planning program  
DIALux for outdoor lighting, street lighting and  
indoor lighting as well as luminaire data in  
EULUMDAT- and IES-format you will find on the  
BEGA web page [www.bega.com](http://www.bega.com).

**Article No. 50 369.2**

Interior colour options

- matt aluminium
- matt brass
- matt copper

Code number .2

Code number .4

Code number .6