

**BEGA****50 368.2**

Large-area pendant luminaire for indoor use

Project · Reference number

Date

**Product data sheet****Application**

Large-area LED pendant luminaire · indoor luminaire with high light power, high uniform light distribution and adjustable colour temperature (Tunable White). With luminaire shield for shielded light deflected downwards. Metal luminaire housing and 4 steel suspension wires. The used LED technique offers durability and optimal light output with low power consumption at the same time.

**Product description**

Large-area LED pendant luminaire  
STUDIO LINE  
Aluminium housing shield,  
velvet white enamel finish,  
Inside hue matt aluminium  
Metal luminaire housing and metal canopy,  
finish white enamel  
Impact resistant synthetic diffuser, white  
Silicone gasket  
Transparent flex suspension 5 × 0,75 □  
Steel wire suspension  
Overall length of luminaire approx. 4000 mm  
Connecting terminal 2.5□  
with plug connection  
Earth conductor connection  
2-pole connecting terminal for  
digital control  
LED power supply unit  
220-240 V ~ 0/50-60 Hz  
DC 176-280 V  
DC Start ≥ 190 V  
DALI controllable (Device Type 8 for Tunable  
White according to IEC 62386-209)  
A basic isolation exists between power cable  
and control line  
Safety class I  
CE – Conformity mark  
Weight: 26.9 kg

**Inrush current**

Inrush current: 73 A / 189 μs  
Maximum number of luminaires of this  
type per miniature circuit breaker:  
B 10A: 5 luminaires  
B 16A: 9 luminaires  
C 10A: 9 luminaires  
C 16A: 15 luminaires

**Lamp**

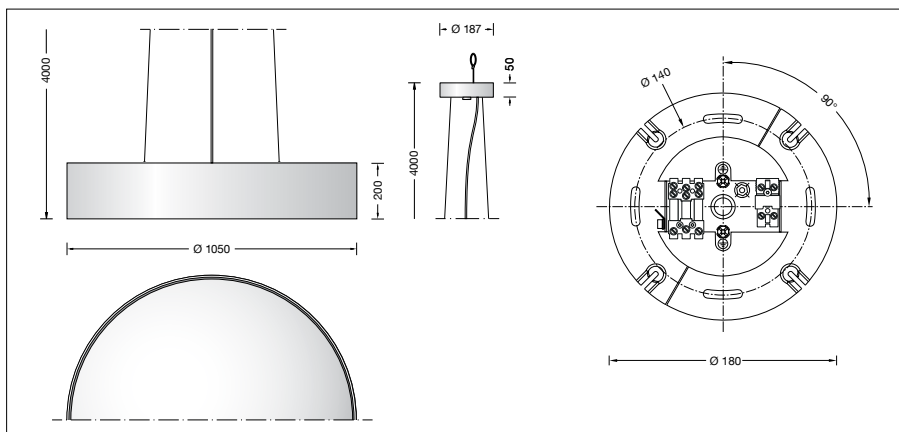
Module connected wattage	100 W
Luminaire connected wattage	114 W
Rated temperature	$t_a = 25\text{ °C}$
Ambient temperature	$t_{a\text{ max}} = 45\text{ °C}$

Module designation	4x LED-0714/9TW
Colour temperature	adjust. 2700 - 6500 K
Colour rendering index	$R_a > 90$
Module luminous flux	15740 lm
Luminaire luminous flux	11564 lm
Luminaire luminous efficiency	101,4 lm/W

**Setting the colour temperature**

The LED colour temperature of the luminaire can be set from 2700 to 6500 K ("Tunable White").

Please note: To be able to set the LED colour temperature, the controller used must support DALI Device Type 8. If no LED colour temperature setting is made, 3000 K will be used by default.

**Lifetime of the LED**

Ambient temperature  $t_a = 15\text{ °C}$   
– at 50,000 h: L90B10  
– at > 500,000 h: L70B50

Ambient temperature  $t_a = 25\text{ °C}$   
– at 50,000 h: L90B10  
– at 465,000 h: L70B50

max. ambient temperature  $t_a = 45\text{ °C}$   
– at 50,000 h: L70B10  
– at 136,000 h: L70B50

**Light technique**

Luminaire data for the light planning program DIALux for outdoor lighting, street lighting and indoor lighting as well as luminaire data in EULUMDAT- and IES-format you will find on the BEGA web page [www.bega.com](http://www.bega.com).

**Article No. 50 368.2**

Interior colour options

- matt aluminium
- matt brass
- matt copper

Code number .2  
Code number .4  
Code number .6