

**BEGA****50 367.6**

Large-area pendant luminaire for indoor use

Project · Reference number

Date

## Product data sheet

**Application**

Large-area LED pendant luminaire · indoor luminaire with high light power and high uniform light distribution. With luminaire shield for shielded light deflected downwards. Metal luminaire housing and 4 steel suspension wires.

**Product description**

Large-area LED pendant luminaire  
STUDIO LINE  
Aluminium housing shield,  
velvet white enamel finish  
Inside hue matt copper  
Metal luminaire housing and metal canopy,  
finish white enamel  
Impact resistant synthetic diffuser, white  
Silicone gasket  
Transparent flex suspension 5 × 0,75 □  
Steel wire suspension  
Overall length of luminaire approx. 4000 mm  
Connecting terminal 2.5□  
with plug connection  
Earth conductor connection  
2-pole connecting terminal for  
digital control  
LED power supply unit  
220-240 V  $\approx$  0/50-60 Hz  
DC 176-280 V  
DC Start  $\geq$  190 V  
DALI controllable  
A basic isolation exists between power cable  
and control line  
Safety class I  
Impact strength IK10  
Protection against mechanical  
impacts < 20 joule  
CE – Conformity mark  
Weight: 46.1 kg

**Inrush current**

Inrush current: 59 A / 165  $\mu$ s  
Maximum number of luminaires of this  
type per miniature circuit breaker:

B 10A: 5 luminaires  
B 16A: 9 luminaires  
C 10A: 9 luminaires  
C 16A: 16 luminaires

**Lamp**

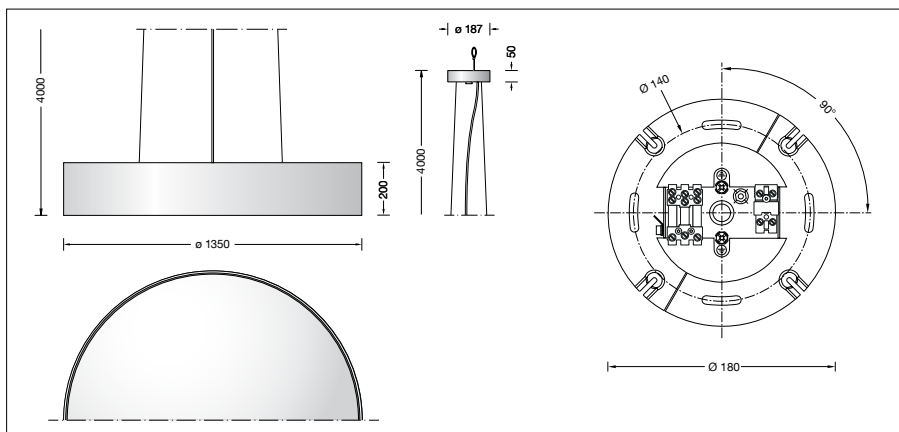
Module connected wattage 121.6 W  
Luminaire connected wattage 138.4 W  
Rated temperature  $t_a = 25$  °C  
Ambient temperature  $t_{a \max} = 40$  °C

**50 367.6 K3**

Module designation 8x LED-0690/930  
Colour temperature 3000 K  
Colour rendering index CRI > 90  
Module luminous flux 20320 lm  
Luminaire luminous flux 15250 lm  
Luminaire luminous efficiency 110,2 lm/W

**50 367.6 K4**

Module designation 8x LED-0690/940  
Colour temperature 4000 K  
Colour rendering index CRI > 90  
Module luminous flux 21520 lm  
Luminaire luminous flux 16151 lm  
Luminaire luminous efficiency 116,7 lm/W

**Service life · Ambient temperature**

Ambient temperature  $t_a = 25$  °C  
LED psu: > 50,000 h  
LED module: > 200,000 h (L 80 B 50)  
50,000 h (L 90 B 50)

Ambient temperature  $t_a = 40$  °C  
LED psu: 50,000 h  
LED module: > 200,000 h (L 80 B 50)  
50,000 h (L 90 B 50)

**Light technique**

Luminaire data for the light planning program  
DIALux for outdoor lighting, street lighting and  
indoor lighting as well as luminaire data in  
EULUMDAT- and IES-format you will find on the  
BEGA web page [www.bega.com](http://www.bega.com).

**Article No. 50 367.6**

LED colour temperature optionally 3000 K  
or 4000 K  
3000 K – Article number + **K3**  
4000 K – Article number + **K4**

## Interior colour options

- matt aluminium
- matt brass
- matt copper

Code number **.2**  
Code number **.4**  
Code number **.6**