

BEGA**50 367.4**

Large-area pendant luminaire for indoor use

Project · Reference number

Date

Product data sheet

Application

Large-area LED pendant luminaire · indoor luminaire with high light power and high uniform light distribution. With luminaire shield for shielded light deflected downwards. Metal luminaire housing and 4 steel suspension wires.

Product description

Large-area LED pendant luminaire
STUDIO LINE
Aluminium housing shield,
velvet white enamel finish,
Inside hue matt brass
Metal luminaire housing and metal canopy,
finish white enamel
Impact resistant synthetic diffuser, white
Silicone gasket
Transparent flex suspension 5 × 0,75 □
Steel wire suspension
Overall length of luminaire approx. 4000 mm
Connecting terminal 2.5□
with plug connection
Earth conductor connection
2-pole connecting terminal for
digital control
LED power supply unit
220-240 V \approx 0/50-60 Hz
DC 176-280 V
DC Start \geq 190 V
DALI controllable
A basic isolation exists between power cable
and control line
Safety class I
Impact strength IK10
Protection against mechanical
impacts < 20 joule
CE – Conformity mark
Weight: 46.1 kg

Inrush current

Inrush current: 59 A / 165 μ s
Maximum number of luminaires of this
type per miniature circuit breaker:
B 10A: 5 luminaires
B 16A: 9 luminaires
C 10A: 9 luminaires
C 16A: 16 luminaires

Lamp

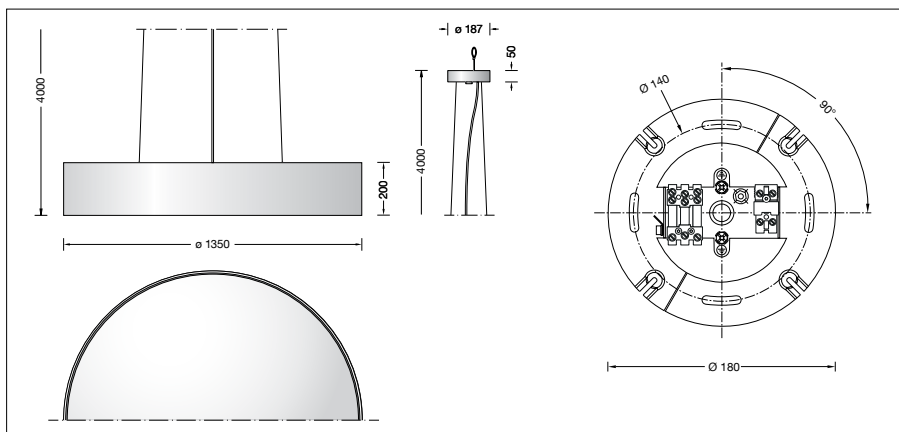
Module connected wattage	121.6 W
Luminaire connected wattage	138.4 W
Rated temperature	$t_a = 25^\circ\text{C}$
Ambient temperature	$t_{a\text{max}} = 40^\circ\text{C}$

50 367.4 K3

Module designation	8x LED-0690/930
Colour temperature	3000 K
Colour rendering index	CRI > 90
Module luminous flux	20320 lm
Luminaire luminous flux	15885 lm
Luminaire luminous efficiency	114,8 lm/W

50 367.4 K4

Module designation	8x LED-0690/940
Colour temperature	4000 K
Colour rendering index	CRI > 90
Module luminous flux	21520 lm
Luminaire luminous flux	16823 lm
Luminaire luminous efficiency	121,6 lm/W

**Service life · Ambient temperature**

Ambient temperature $t_a = 25^\circ\text{C}$	
LED psu:	> 50,000 h
LED module:	> 200,000 h (L 80 B 50) 50,000 h (L 90 B 50)
Ambient temperature $t_a = 40^\circ\text{C}$	
LED psu:	50,000 h
LED module:	> 200,000 h (L 80 B 50) 50,000 h (L 90 B 50)

Light technique

Luminaire data for the light planning program DIALux for outdoor lighting, street lighting and indoor lighting as well as luminaire data in EULUMDAT- and IES-format you will find on the BEGA web page www.bega.com.

Article No. 50 367.4

LED colour temperature optionally 3000 K or 4000 K
3000 K – Article number + **K3**
4000 K – Article number + **K4**

Interior colour options

- matt aluminium
- matt brass
- matt copper

Code number **.2**
Code number **.4**
Code number **.6**