

**BEGA****50 366.4**

Large-area pendant luminaire for indoor use

Project · Reference number

Date

## Product data sheet

**Application**

Large-area LED pendant luminaire · indoor luminaire with high light power and high uniform light distribution. With luminaire shield for shielded light deflected downwards. Metal luminaire housing and 4 steel suspension wires.

**Product description**

Large-area LED pendant luminaire  
STUDIO LINE  
Aluminium housing shield,  
velvet white enamel finish,  
Inside hue matt brass  
Metal luminaire housing and metal canopy,  
finish white enamel  
Impact resistant synthetic diffuser, white  
Silicone gasket  
Transparent flex suspension 5 × 0,75 □  
Steel wire suspension  
Overall length of luminaire approx. 4000 mm  
Connecting terminal 2.5□  
with plug connection  
Earth conductor connection  
2-pole connecting terminal for  
digital control  
LED power supply unit  
220-240 V  $\approx$  0/50-60 Hz  
DC 176-280 V  
During DC operation the LED power  
is reduced to 15 %  
DALI controllable  
A basic isolation exists between power cable  
and control line  
Safety class I  
Impact strength IK10  
Protection against mechanical  
impacts < 20 joule  
**CE** – Conformity mark  
Weight: 28.9 kg

**Inrush current**

Inrush current: 50 A / 209  $\mu$ s  
Maximum number of luminaires of this  
type per miniature circuit breaker:  
B 10A: 6 luminaires  
B 16A: 10 luminaires  
C 10A: 10 luminaires  
C 16A: 16 luminaires

**Lamp**

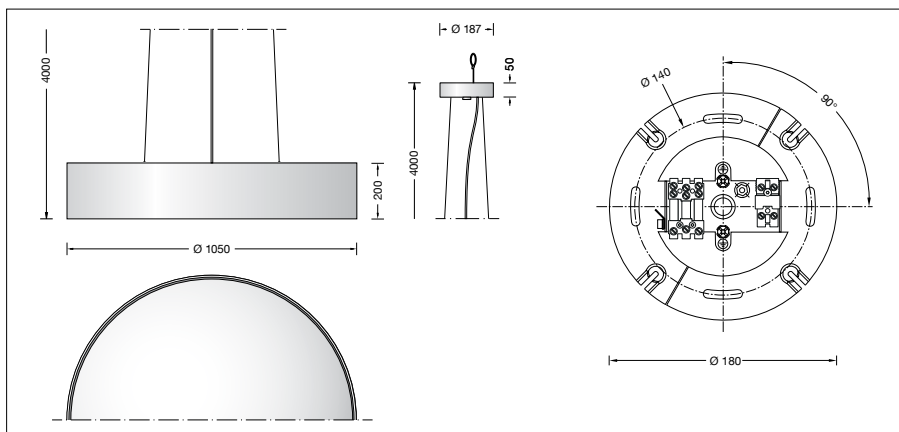
Module connected wattage	92.4 W
Luminaire connected wattage	101 W
Rated temperature	$t_a = 25^\circ\text{C}$
Ambient temperature	$t_{a,max} = 35^\circ\text{C}$

**50 366.4 K3**

Module designation	4x LED-0704/930
Colour temperature	3000 K
Colour rendering index	CRI > 90
Module luminous flux	14960 lm
Luminaire luminous flux	10770 lm
Luminaire luminous efficiency	106,6 lm/W

**50 366.4 K4**

Module designation	4x LED-0704/940
Colour temperature	4000 K
Colour rendering index	CRI > 90
Module luminous flux	15420 lm
Luminaire luminous flux	11101 lm
Luminaire luminous efficiency	109,9 lm/W

**Service life · Ambient temperature**

Ambient temperature $t_a = 25^\circ\text{C}$	
LED psu:	> 50,000 h
LED module:	> 200,000 h (L 80 B 50) > 50,000 h (L 90 B 50)

Ambient temperature $t_a = 35^\circ\text{C}$	
LED psu:	50,000 h
LED module:	> 200,000 h (L 80 B 50) > 50,000 h (L 90 B 50)

**Article No. 50 366.4**

LED colour temperature optionally 3000 K  
or 4000 K  
3000 K – Article number + **K3**  
4000 K – Article number + **K4**

## Interior colour options

- matt aluminium
- matt brass
- matt copper

Code number **.2**  
Code number **.4**  
Code number **.6**