

**BEGA****50 344.3**

Pendant luminaire for indoor use

Project · Reference number

Date

**Product data sheet****Application**

LED Pendant luminaire · indoor luminaire with partially satin matt crystal glass and reflector for directed light to provide a high horizontal illuminance.

Metal luminaire housing and canopy.

The used LED technique offers durability and optimal light output with low power consumption at the same time.

**Product description**

Aluminium luminaire housing and metal canopy, finish polished aluminium

Crystal glass, partially satin matt, with screw neck

Reflector made of pure anodised aluminium

Black flex suspension  $5 \times 0,75$  □

with 1 steel messenger wire

Overall length of luminaire ~3000 mm

Connecting terminal 2.5 □

Earth conductor connection

Connecting terminal DA DA for

digital control

LED power supply unit

220-240 V  $\sim$  0/50-60 Hz

DALI controllable

A basic isolation exists between power cable and control line

and control line

Safety class I

CE – Conformity mark

Weight: 2.0 kg

**Lighting technology**

Half beam angle 35°.

Luminaire data for the light planning program

DIALux for outdoor lighting, street lighting and

interior lighting as well as luminaire data in

EULUMDAT and IES format are available on the

BEGA website [www.bega.com](http://www.bega.com).

**Lamp**

Module connected wattage 47.5 W

Luminaire connected wattage 52.8 W

Rated temperature  $t_a = 25$  °C

Ambient temperature  $t_{a,max} = 40$  °C

**50 344.3**

Module designation LED-0495/930

Colour temperature 3000 K

Colour rendering index  $R_a > 90$

Module luminous flux 6220 lm

Luminaire luminous flux 3862 lm

Luminaire luminous efficiency 73,1 lm/W

**50 344.3 K4**

Module designation LED-0495/940

Colour temperature 4000 K

Colour rendering index  $R_a > 90$

Module luminous flux 6405 lm

Luminaire luminous flux 3976 lm

Luminaire luminous efficiency 75,3 lm/W

**Lifetime of the LED**

Ambient temperature  $t_a = 15$  °C

– at 50,000h: L90B10

– at 320,000h: L70B50

Ambient temperature  $t_a = 25$  °C

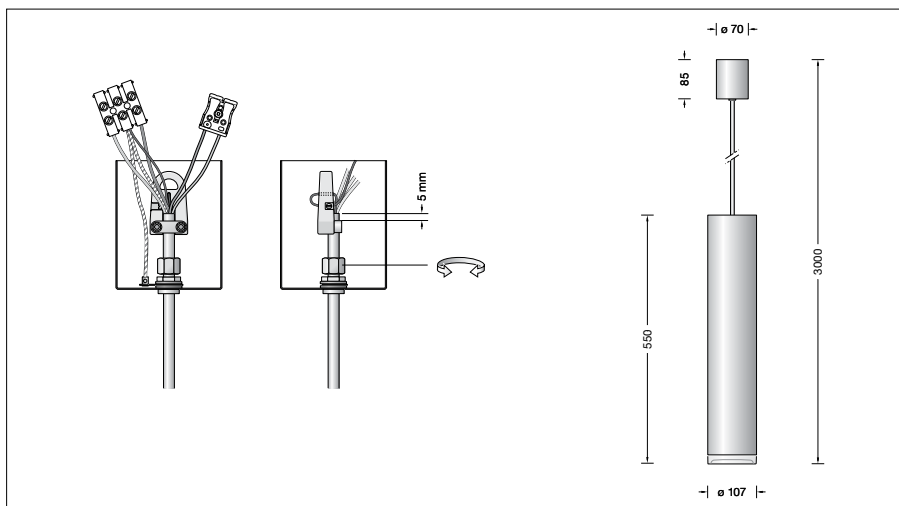
– at 50,000h: L80B10

– at 260,000h: L70B50

max. ambient temperature  $t_a = 40$  °C

– at 50,000h: L80B10

– at 190,000h: L70B50

**Inrush current**

Inrush current: 20 A / 400  $\mu$ s

Maximum number of luminaires of this

type per miniature circuit breaker:

B 10A: 9 luminaires

B 16A: 15 luminaires

C 10A: 16 luminaires

C 16A: 25 luminaires

**Article No. 50 344.3**

LED colour temperature optionally 3000 K

or 4000 K

3000 K – Article number

4000 K – Article number + **K4**

Finish options

- Enamel, white
- Stainless steel
- Polished aluminium

Code number **.1**

Code number **.2**

Code number **.3**