

BEGA**50 344.1**

Pendant luminaire for indoor use

Project · Reference number

Date

Product data sheet**Application**

LED Pendant luminaire · indoor luminaire with partially satin matt crystal glass and reflector for directed light to provide a high horizontal illuminance.

Metal luminaire housing and canopy.
The used LED technique offers durability and optimal light output with low power consumption at the same time.

Product description

Aluminium luminaire housing and metal canopy, finish white enamel
Crystal glass, partially satin matt, with screw neck
Reflector made of pure anodised aluminium
White flex suspension $5 \times 0,7$ with 1 steel messenger wire
Overall length of luminaire ~3000 mm
Connecting terminal 2.5 [□]
Earth conductor connection
Connecting terminal DA DA for digital control
LED power supply unit
220-240 V \sim 0/50-60 Hz
DALI controllable
A basic isolation exists between power cable and control line
Safety class I
CE – Conformity mark
Weight: 4.6 kg

Lighting technology

Half beam angle 35° .
Luminaire data for the light planning program DIALux for outdoor lighting, street lighting and interior lighting as well as luminaire data in EULUMDAT and IES format are available on the BEGA website www.bega.com.

Lamp

Module connected wattage	47.5 W
Luminaire connected wattage	52.8 W
Rated temperature	$t_a = 25^\circ\text{C}$
Ambient temperature	$t_{a\text{max}} = 40^\circ\text{C}$

50 344.1

Module designation	LED-0495/930
Colour temperature	3000 K
Colour rendering index	$R_a > 90$
Module luminous flux	6220 lm
Luminaire luminous flux*	3730 lm
Luminaire luminous efficiency*	70,6 lm/W

50 344.1 K4

Module designation	LED-0495/940
Colour temperature	4000 K
Colour rendering index	$R_a > 90$
Module luminous flux	6405 lm
Luminaire luminous flux*	3840 lm
Luminaire luminous efficiency*	72,7 lm/W

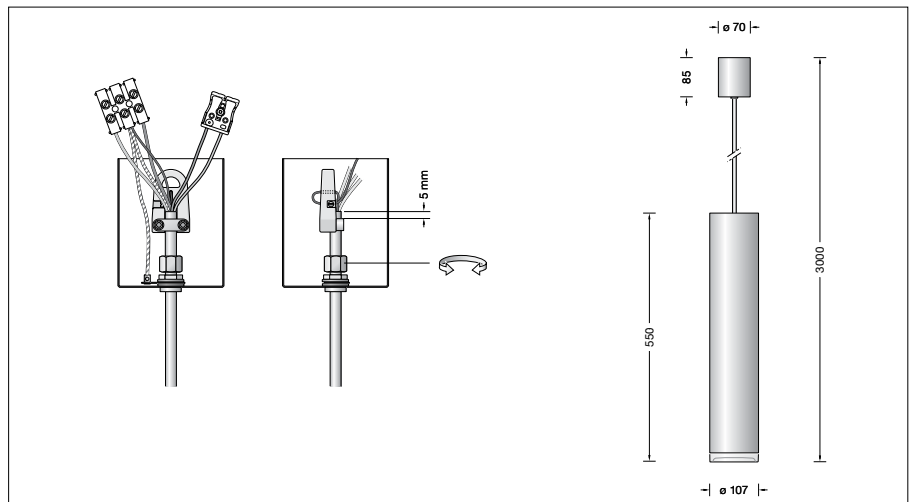
* preliminary data

Lifetime of the LED

Ambient temperature $t_a = 15^\circ\text{C}$
– at 50,000h: L90B10
– at 320,000h: L70B50

Ambient temperature $t_a = 25^\circ\text{C}$
– at 50,000h: L80B10
– at 260,000h: L70B50

max. ambient temperature $t_a = 40^\circ\text{C}$
– at 50,000h: L80B10
– at 190,000h: L70B50

**Inrush current**

Inrush current: 20 A / 400 μs
Maximum number of luminaires of this type per miniature circuit breaker:
B 10A: 9 luminaires
B 16A: 15 luminaires
C 10A: 16 luminaires
C 16A: 25 luminaires

Article No. 50 344.1

LED colour temperature optionally 3000 K or 4000 K
3000 K – Article number
4000 K – Article number + **K4**

Finish options

- Enamel, white
- Stainless steel
- Polished aluminium

Code number **.1**
Code number **.2**
Code number **.3**