

BEGA**50 343.2**

Pendant luminaire for indoor use

Project · Reference number

Date

Product data sheet**Application**

LED Pendant luminaire · indoor luminaire with partially satin matt crystal glass and reflector for directed light to provide a high horizontal illuminance.

Metal luminaire housing and canopy.

Product description

Aluminium luminaire housing and metal canopy, stainless steel finish

Crystal glass, partially satin matt, with screw neck

Reflector made of pure anodised aluminium

Black flex suspension $5 \times 0,75$ □

with 1 steel messenger wire

Overall length of luminaire approx. 3000 mm

Connection terminal 2.5 □

Earth conductor connection

Connecting terminal for digital control

LED power supply unit

220-240 V \sim 0/50-60 Hz

DALI controllable

A basic isolation exists between power cable and control line

Safety class I

CE – Conformity mark

Weight: 4.6 kg

Lighting technology

Half beam angle 35°

Luminaire data for the light planning program DIALux for outdoor lighting, street lighting and interior lighting as well as luminaire data in EULUMDAT and IES format are available on our website www.bega.com.

Lamp

Module connected wattage 36.3 W

Luminaire connected wattage 42 W

Rated temperature $t_a = 25^\circ\text{C}$

Ambient temperature $t_{a\text{max}} = 40^\circ\text{C}$

50 343.2 K3

Module designation LED-0495/930

Colour temperature 3000 K

Colour rendering index CRI > 90

Module luminous flux 4920 lm

Luminaire luminous flux 2970 lm

Luminaire luminous efficiency 70,7 lm/W

50 343.2 K4

Module designation LED-0495/940

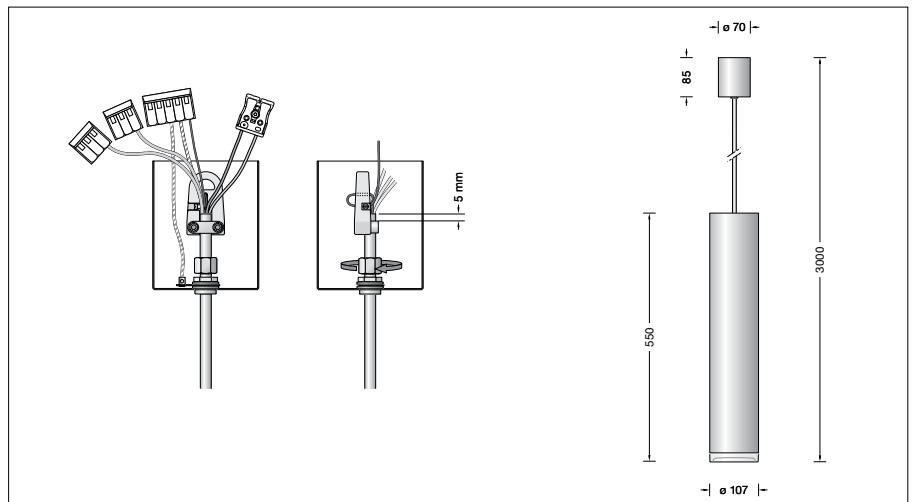
Colour temperature 4000 K

Colour rendering index CRI > 90

Module luminous flux 5065 lm

Luminaire luminous flux 3057 lm

Luminaire luminous efficiency 72,8 lm/W

**Service life of the LED**

Ambient temperature $t_a = 25^\circ\text{C}$

– at 320,000 h: L70 B50

max. ambient temperature $t_a = 40^\circ\text{C}$

– at 230,000 h: L70 B50

Article No. 50 343.2

LED colour temperature optionally 3000 K or 4000 K

3000 K – Article number + **K3**

4000 K – Article number + **K4**

Optional finishes

- White enamel
- Stainless steel
- Polished aluminium

code number **.1**

code number **.2**

code number **.3**