

BEGA**50 342.1**

Pendant luminaire for indoor use

Project · Reference number

Date

Product data sheet

Application

LED Pendant luminaire · indoor luminaire with partially satin matt crystal glass and reflector for directed light to provide a high horizontal illuminance.

Metal luminaire housing and canopy.

Product description

Luminaire housing made of aluminium and metal canopy, white enamel finish
Crystal glass, partially satin matt, with screw neck

Reflector made of pure anodised aluminium
White flex suspension $5 \times 0,7$ □

with 1 steel messenger wire

Overall length of luminaire approx. 2000 mm

Connection terminal 2.5 □

Earth conductor connection

Connecting terminal for digital control

LED power supply unit

220-240 V \sim 0/50-60 Hz

DALI controllable

A basic isolation exists between power cable and control line

Safety class I

CE – Conformity mark

Weight: 2.9 kg

Inrush current

Inrush current: 5 A / 50 μ s

Maximum number of luminaires of this type per miniature circuit breaker:

B10A: 31 luminaires

B16A: 50 luminaires

C10A: 52 luminaires

C16A: 85 luminaires

Lamp

Module connected wattage 24.5 W

Luminaire connected wattage 28 W

Rated temperature $t_a = 25$ °C

Ambient temperature $t_{a,max} = 30$ °C

50 342.1 K3

Module designation LED-0836/930

Colour temperature 3000 K

Colour rendering index CRI > 90

Module luminous flux 3150 lm

Luminaire luminous flux 1977 lm

Luminaire luminous efficiency 70,6 lm/W

50 342.1 K4

Module designation LED-0836/940

Colour temperature 4000 K

Colour rendering index CRI > 90

Module luminous flux 3285 lm

Luminaire luminous flux 2061 lm

Luminaire luminous efficiency 73,6 lm/W

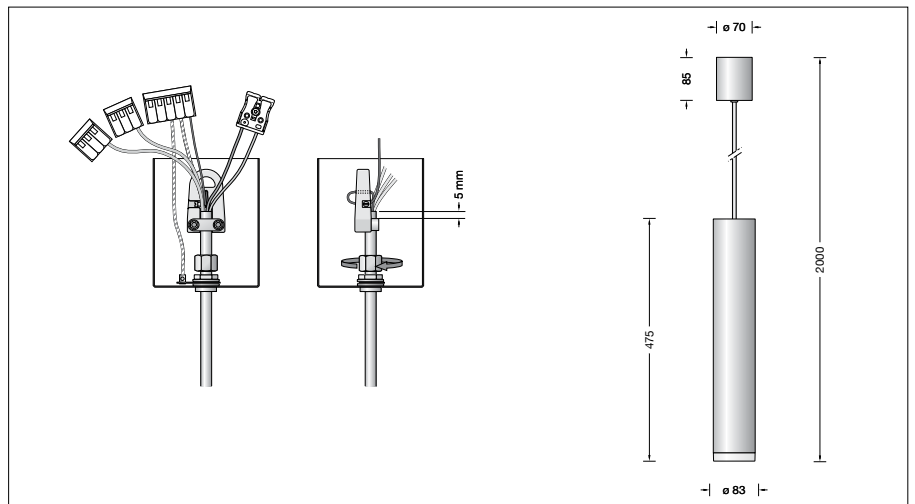
Service life of the LED

Ambient temperature $t_a = 25$ °C

– at 360,000h: L70 B50

max. ambient temperature $t_a = 30$ °C

– at 330,000h: L70 B50

**Lighting technology**

Half beam angle 37°

Luminaire data for the light planning program DIALux for outdoor lighting, street lighting and interior lighting as well as luminaire data in EULUMDAT and IES format are available on our website www.bega.com.

Article No. 50 342.1

LED colour temperature optionally 3000 K

or 4000 K

3000 K – Article number + **K3**

4000 K – Article number + **K4**

Optional finishes

- White enamel
- Stainless steel
- Polished aluminium

code number **.1**

code number **.2**

code number **.3**