

BEGA**50 341.3**

Pendant luminaire for indoor use

Project · Reference number

Date

Product data sheet**Application**

LED Pendant luminaire · indoor luminaire with partially satin matt crystal glass and reflector for directed light to provide a high horizontal illuminance.

Metal luminaire housing and canopy.

Product description

Aluminium luminaire housing and metal canopy, finish polished aluminium

Crystal glass, partially satin matt, with screw neck

Reflector made of pure anodised aluminium

Black flex suspension $5 \times 0,75$ □

Overall length of luminaire approx. 2000 mm

Connecting terminals

and earth conductor terminal $2,5$ □

Connecting terminal for digital control

LED power supply unit

220-240 V \sim 0/50-60 Hz

DALI controllable

A basic isolation exists between power cable and control line

Safety class I

CE – Conformity mark

Weight: 1.9 kg

Inrush current

Inrush current: 5 A / 50 μ s

Maximum number of luminaires of this type per miniature circuit breaker:

B10A: 31 luminaires

B16A: 50 luminaires

C10A: 52 luminaires

C16A: 85 luminaires

Lamp

Module connected wattage 17.8 W

Luminaire connected wattage 20.8 W

Rated temperature $t_a = 25$ °C

Ambient temperature $t_{a \max} = 30$ °C

50 341.3 K3

Module designation LED-0836/930

Colour temperature 3000 K

Colour rendering index CRI > 90

Module luminous flux 2380 lm

Luminaire luminous flux 1502 lm

Luminaire luminous efficiency 72,2 lm/W

50 341.3 K4

Module designation LED-0836/940

Colour temperature 4000 K

Colour rendering index CRI > 90

Module luminous flux 2480 lm

Luminaire luminous flux 1565 lm

Luminaire luminous efficiency 75,2 lm/W

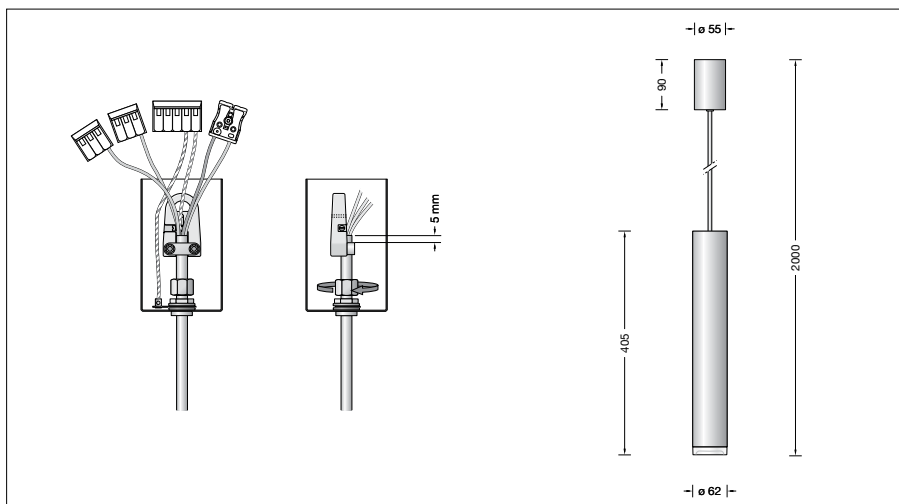
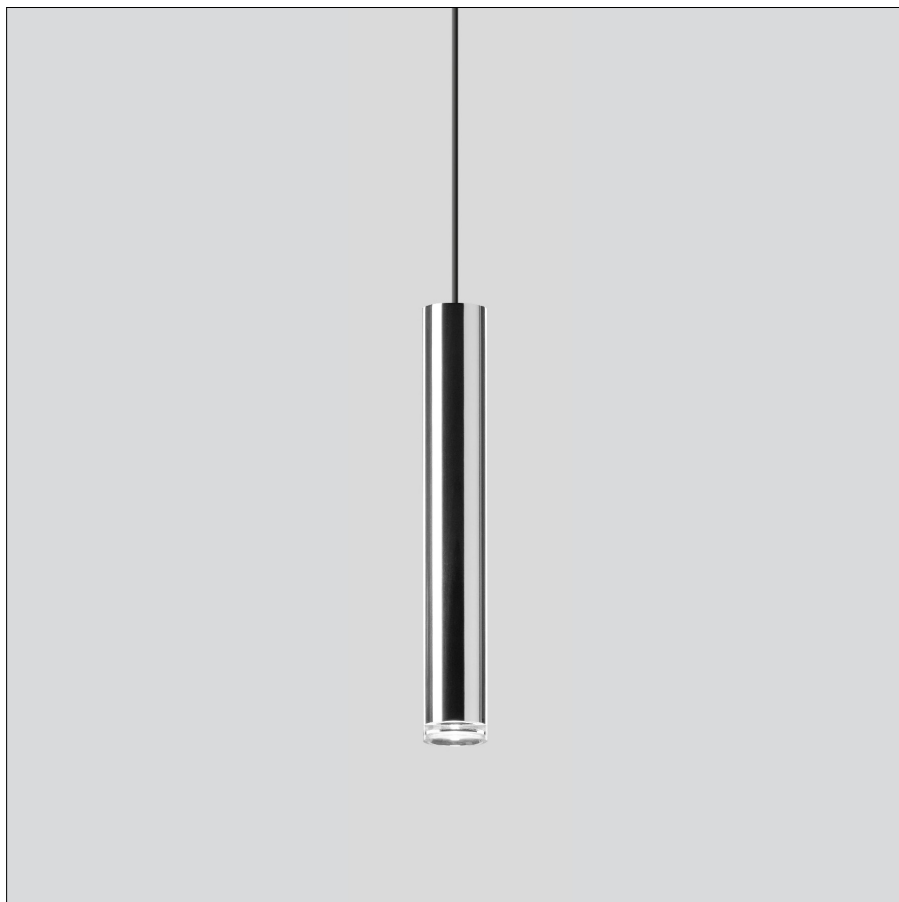
Service life of the LED

Ambient temperature $t_a = 25$ °C

– at 370,000h: L70B50

max. ambient temperature $t_a = 30$ °C

– at 340,000h: L70B50

**Lighting technology**

Half beam angle 37°

Luminaire data for the light planning program

DIALux for outdoor lighting, street lighting and interior lighting as well as luminaire data in

EULUMDAT and IES format are available on our website www.bega.com.

Article No. 50 341.3

LED colour temperature optionally 3000K or 4000K

3000 K – Article number + **K3**

4000 K – Article number + **K4**

Optional finishes

- White enamel
- Stainless steel
- Polished aluminium

code number **.1**

code number **.2**

code number **.3**