

BEGA**50 277.4**

Large-area pendant luminaire for indoor use



Project · Reference number



Date

Product data sheet

Application

Large-area LED pendant luminaire · indoor luminaire with high light power, high uniform light distribution and adjustable colour temperature (Tunable White). With luminaire shield for shielded light deflected downwards. Metal luminaire housing and 4 steel suspension wires.

Product description

Large-area LED pendant luminaire
STUDIO LINE
Aluminium housing shield,
velvet black enamel finish,
Inside hue matt brass
Metal luminaire housing and metal canopy,
finish white enamel
Impact resistant synthetic diffuser, white
Silicone gasket
Transparent flex suspension 5 × 0,75 □
Steel wire suspension
Overall length of luminaire approx. 4000 mm
Connecting terminal 2.5[□]
with plug connection
Earth conductor connection
2-pole connecting terminal for
digital control
LED power supply unit
220-240 V ~ 0/50-60 Hz
DC 176-280 V
DC Start ≥ 190 V
DALI controllable (Device Type 8 for Tunable
White according to IEC 62386-209)
A basic isolation exists between power cable
and control line
Safety class I
 – Safety mark
 – Conformity mark
 Weight: 46.1 kg

Inrush current

Inrush current: 73 A / 189 μs
Maximum number of luminaires of this
type per miniature circuit breaker:
B 10A: 5 luminaires
B 16A: 9 luminaires
C 10A: 9 luminaires
C 16A: 15 luminaires

Lamp

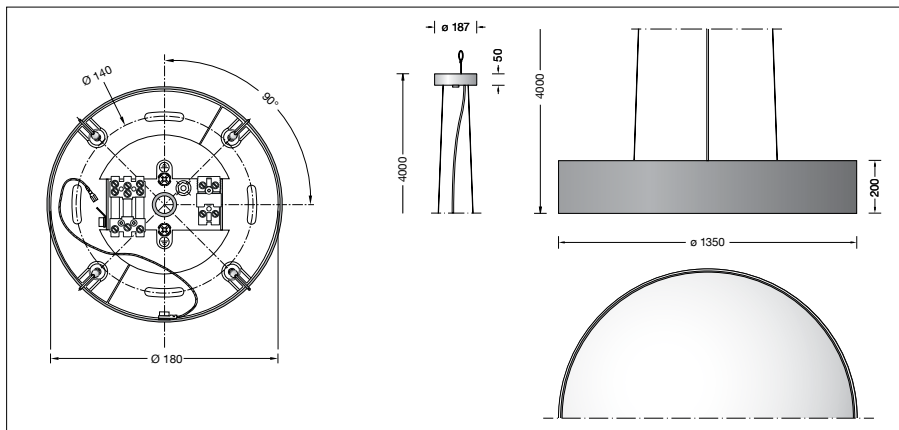
Module connected wattage	123.2 W
Luminaire connected wattage	144 W
Rated temperature	$t_a = 25\text{ °C}$
Ambient temperature	$t_{a\text{max}} = 40\text{ °C}$

Module designation	8x LED-0702/9TW
Colour temperature	adjust. 2700 - 6500 K
Colour rendering index	$R_a > 90$
Module luminous flux	17560 lm
Luminaire luminous flux	13729 lm
Luminaire luminous efficiency	95,3 lm/W

Setting the colour temperature

The LED colour temperature of the luminaire can be set from 2700 to 6500 K ("Tunable White").

Please note: To be able to set the LED colour temperature, the controller used must support DALI Device Type 8. If no LED colour temperature setting is made, 3000 K will be used by default.



Lifetime of the LED

Ambient temperature $t_a = 15\text{ °C}$
 – at 50,000 h: L90B10
 – at > 500,000 h: L70B50

Ambient temperature $t_a = 25\text{ °C}$
 – at 50,000 h: L90B10
 – at > 500,000 h: L70B50

max. ambient temperature $t_a = 40\text{ °C}$
 – at 50,000 h: L90B10
 – at 332,000 h: L70B50

Light technique

Luminaire data for the light planning program DIALux for outdoor lighting, street lighting and indoor lighting as well as luminaire data in EULUMDAT- and IES-format you will find on the BEGA web page www.bega.com.

Article No. 50 277.4

Interior colour options

- matt aluminium
- matt brass
- matt copper

Code number .2
 Code number .4
 Code number .6