

GLASHÜTTE LIMBURG**Product data sheet****Large-area pendant luminaire****50 277.2**

Project · Reference number

Date

Application

Large-area LED pendant luminaire with high light power, high uniform light distribution and adjustable colour temperature (Tunable White). With luminaire shield for shielded light deflected downwards. Metal luminaire housing and 4 steel suspension wires.

The used LED technique offers durability and optimal light output with low power consumption at the same time.

Product description

Large-area LED pendant luminaire
»STUDIO LINE«

Aluminium housing shield,

velvet black enamel finish,

Inside hue matt aluminium

Metal luminaire housing and metal canopy,

finish white enamel

Impact resistant synthetic diffuser, white

Silicone gasket

Transparent flex suspension 5 × 0,75 □

Steel wire suspension

Overall length of luminaire ~4000 mm

Plug connection

Connecting terminal 2.5□

Earth conductor connection

2-pole connecting terminal for

digital control

LED power supply unit

220-240 V ~ 0/50-60 Hz

DALI controllable (Device Type 8 for Tunable

White according to IEC 62386-209)

A basic isolation exists between power cable

and control line

Safety class I

CE – Conformity mark

Weight: 46.1 kg

Lamp

Module connected wattage 123.2 W

Luminaire connected wattage 144 W

Rated temperature $t_a = 25\text{ °C}$

Ambient temperature $t_{a\text{ max}} = 40\text{ °C}$

Module designation 8x LED-0702/9TW

Colour temperature adjust. 2700 - 6500 K

Colour rendering index $R_a > 90$

Module luminous flux 17560 lm

Luminaire luminous flux* 7902 lm

Luminaire luminous efficiency* 54,9 lm/W

* preliminary data

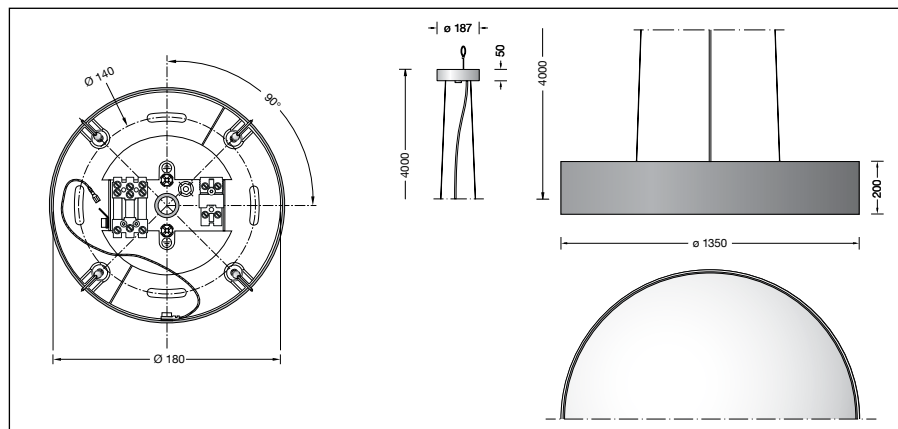
Setting the colour temperature

The colour temperature of the luminaire can be set from 2700 to 6500 K ("Tunable White").

Please note: To be able to set the colour temperature, the controller used must support DALI Device Type 8. If no colour temperature setting is made, 4000 K will be used by default.



www.glashuette-limborg.com

**Lifetime of the LED**

Ambient temperature $t_a = 15\text{ °C}$

– at 50,000h: L90B10

– at > 500,000h: L70B50

Ambient temperature $t_a = 25\text{ °C}$

– at 50,000h: L90B10

– at > 500,000h: L70B50

max. ambient temperature $t_a = 40\text{ °C}$

– at 50,000h: L90B10

– at 332,000h: L70B50

Article No. 50 277.2

Interior colour options

• matt aluminium

• matt brass

• matt copper

Code number **.2**

Code number **.4**

Code number **.6**