

**BEGA****50276.2**

Large-area pendant luminaire for indoor use

Project · Reference number

Date

**Product data sheet****Application**

Large-area LED pendant luminaire · indoor luminaire with high light power, high uniform light distribution and adjustable colour temperature (Tunable White). With luminaire shield for shielded light deflected downwards. Metal luminaire housing and 4 steel suspension wires.

The used LED technique offers durability and optimal light output with low power consumption at the same time.

**Product description**

Large-area LED pendant luminaire  
»STUDIO LINE«

Aluminium housing shield,  
velvet black enamel finish,

Inside hue matt aluminium

Metal luminaire housing and metal canopy,  
finish white enamel

Impact resistant synthetic diffuser, white  
Silicone gasket

Transparent flex suspension  $5 \times 0,75$  □

Steel wire suspension

Overall length of luminaire ~4000 mm

Plug connection

Connecting terminal 2.5□

Earth conductor connection

2-pole connecting terminal for  
digital control

LED power supply unit

220-240 V  $\sim$  0/50-60 Hz

DC 176-280 V

DC Start  $\geq 190$  V

DALI controllable (Device Type 8 for Tunable  
White according to IEC 62386-209)

A basic isolation exists between power cable  
and control line

Safety class I

CE – Conformity mark

Weight: 26.9 kg

**Inrush current**

Inrush current: 73 A / 189  $\mu$ s

Maximum number of luminaires of this  
type per miniature circuit breaker:

B 10A: 5 luminaires

B 16A: 9 luminaires

C 10A: 9 luminaires

C 16A: 15 luminaires

**Lamp**

Module connected wattage 100 W

Luminaire connected wattage 114 W

Rated temperature  $t_a = 25$  °C

Ambient temperature  $t_{a \max} = 45$  °C

Module designation 4x LED-0714/9TW

Colour temperature adjust. 2700 - 6500 K

Colour rendering index  $R_a > 90$

Module luminous flux 15740 lm

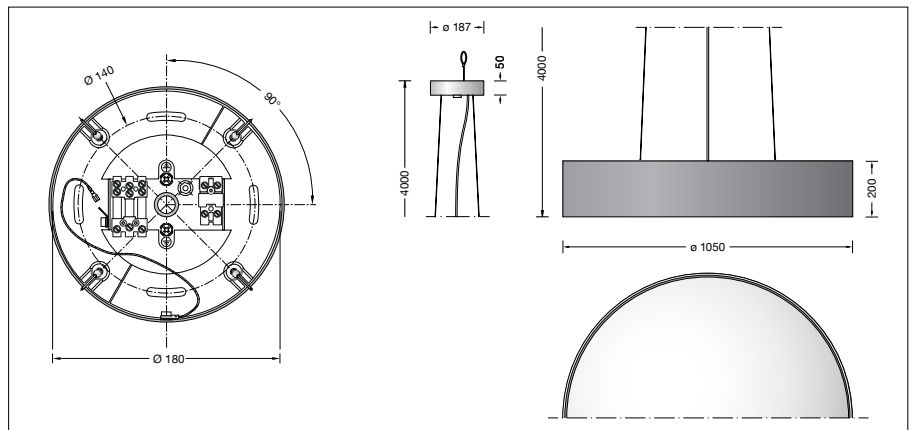
Luminaire luminous flux 11564 lm

Luminaire luminous efficiency 101,4 lm/W

**Setting the colour temperature**

The LED colour temperature of the luminaire  
can be set from 2700 to 6500 K ("Tunable  
White").

Please note: To be able to set the LED  
colour temperature, the controller used must  
support DALI Device Type 8. If no LED colour  
temperature setting is made, 4000 K will be  
used by default.

**Lifetime of the LED**

Ambient temperature  $t_a = 15$  °C

– at 50,000 h: L90B10

– at > 500,000 h: L70B50

Ambient temperature  $t_a = 25$  °C

– at 50,000 h: L90B10

– at 465,000 h: L70B50

max. ambient temperature  $t_a = 45$  °C

– at 50,000 h: L70B10

– at 136,000 h: L70B50

**Article No. 50276.2**

Interior colour options

• matt aluminium

• matt brass

• matt copper

Code number .2

Code number .4

Code number .6