

BEGA**50 274.6**

Large-area pendant luminaire for indoor use



Project · Reference number

Date

Product data sheet

Application

Large-area LED pendant luminaire · indoor luminaire with high light power and high uniform light distribution. With luminaire shield for shielded light deflected downwards. Metal luminaire housing and 4 steel suspension wires.

Product description

Large-area LED pendant luminaire
STUDIO LINE
Aluminium housing shield,
velvet black enamel finish
Inside hue matt copper
Metal luminaire housing and metal canopy,
finish white enamel
Impact resistant synthetic diffuser, white
Silicone gasket
Transparent flex suspension 5 × 0,75 □
Steel wire suspension
Overall length of luminaire approx. 4000 mm
Connecting terminal 2.5 □
with plug connection
Earth conductor connection
2-pole connecting terminal for
digital control
LED power supply unit
220-240 V ~ 0/50-60 Hz
DC 176-280 V
During DC operation the LED power
is reduced to 15 %
DALI controllable
A basic isolation exists between power cable
and control line
Safety class I
Impact strength IK10
Protection against mechanical
impacts < 20 joule
 – Safety mark
CE – Conformity mark
Weight: 28.9 kg

Inrush current

Inrush current: 50 A / 209 μs
Maximum number of luminaires of this
type per miniature circuit breaker:
B 10A: 6 luminaires
B 16A: 10 luminaires
C 10A: 10 luminaires
C 16A: 16 luminaires

Lamp

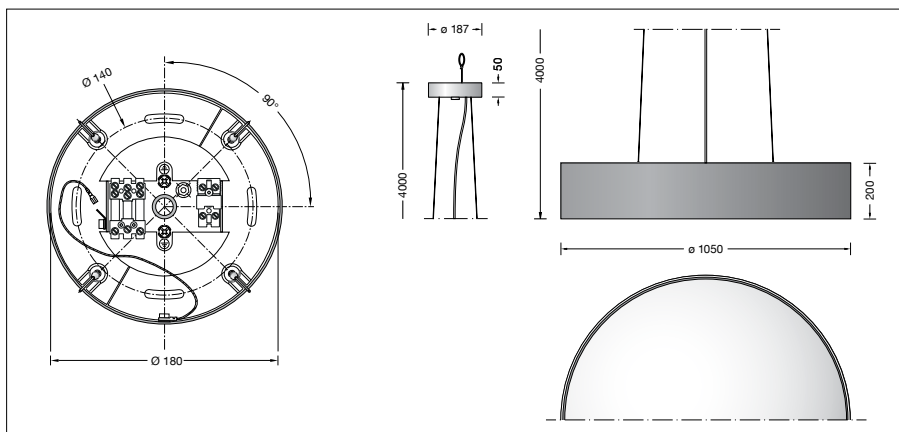
Module connected wattage 92.4 W
Luminaire connected wattage 101 W
Rated temperature $t_a = 25 \text{ °C}$
Ambient temperature $t_{a \text{ max}} = 35 \text{ °C}$

50 274.6 K3

Module designation 4x LED-0704/930
Colour temperature 3000 K
Colour rendering index CRI > 90
Module luminous flux 14960 lm
Luminaire luminous flux 10472 lm
Luminaire luminous efficiency 103,7 lm/W

50 274.6 K4

Module designation 4x LED-0704/940
Colour temperature 4000 K
Colour rendering index CRI > 90
Module luminous flux 15420 lm
Luminaire luminous flux 10794 lm
Luminaire luminous efficiency 106,9 lm/W

**Service life · Ambient temperature**

Ambient temperature $t_a = 25 \text{ °C}$
LED psu: > 50,000 h
LED module: > 200,000 h (L 80 B 50)
50,000 h (L 90 B 50)

Ambient temperature $t_a = 35 \text{ °C}$
LED psu: 50,000 h
LED module: > 200,000 h (L 80 B 50)
50,000 h (L 90 B 50)

Article No. 50 274.6

LED colour temperature optionally 3000 K
or 4000 K
3000 K – Article number + **K3**
4000 K – Article number + **K4**

Interior colour options

- matt aluminium Code number **.2**
- matt brass Code number **.4**
- matt copper Code number **.6**