

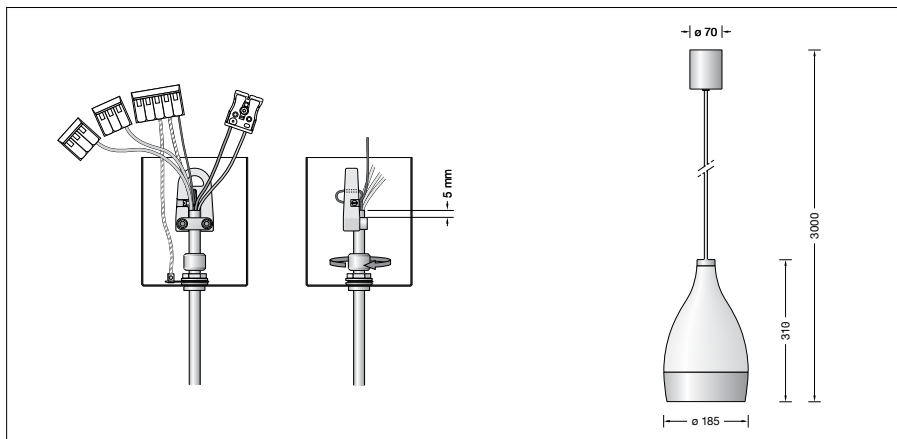
BEGA**50 232.1**

Pendant luminaire for indoor use



Project · Reference number

Date



Product data sheet

Application

Enclosed and unshielded pendant luminaire · indoor luminaire with hand-blown opal glass and metal housing.

The character of the opal glass creates a smooth and uniform light distribution in the room.

A wide beam downlight creates the downward-directed light.

Product description

Luminaire housing made of aluminium and metal canopy, white enamel finish

Hand-blown opal glass, white

Reflector made of pure, high-gloss anodized aluminium

Partially matt crystal glass · Downlight

Light distribution separately controllable

White flex suspension $5 \times 0,7$ □

with 1 steel messenger wire

Overall length of luminaire approx. 3000 mm

Connecting terminals $2,5$ □

Earth conductor connection

2-pole connecting terminal for

digital control

LED power supply unit

220-240 V \sim 0/50-60 Hz

DALI controllable

A basic isolation exists between power cable and control line

Safety class I

– Safety mark

– Conformity mark

Weight: 3.0 kg

Lamp

Opal glass

Module connected wattage 13.6 W

Luminaire connected wattage 16 W

Rated temperature $t_a = 25$ °C

Ambient temperature $t_{a \max} = 40$ °C

50 232.1

Module designation 2x LED-0660/930

Colour temperature 3000 K

Colour rendering index $R_a > 90$

Module luminous flux 2240 lm

Luminaire luminous flux 1353 lm

Luminaire luminous efficiency 84,6 lm/W

50 232.1 K4

Module designation 2x LED-0660/940

Colour temperature 4000 K

Colour rendering index $R_a > 90$

Module luminous flux 2310 lm

Luminaire luminous flux 1395 lm

Luminaire luminous efficiency 87,2 lm/W

Downlight

Module connected wattage 17 W

Downlight connected wattage 20 W

Rated temperature $t_a = 25$ °C

Ambient temperature $t_{a \max} = 40$ °C

50 232.1

Module designation LED-0678/930

Colour temperature 3000 K

Colour rendering index $R_a > 90$

Module luminous flux 2450 lm

Luminaire luminous flux 1855 lm

Luminaire luminous efficiency 92,8 lm/W

50 232.1 K4

Module designation LED-0678/940

Colour temperature 4000 K

Colour rendering index $R_a > 90$

Module luminous flux 2520 lm

Luminaire luminous flux 1908 lm

Luminaire luminous efficiency 95,4 lm/W

Inrush current

Inrush current: 21 A / 24.2 μ s

Maximum number of luminaires of this type per miniature circuit breaker:

B 10A: 25 luminaires

B 16A: 25 luminaires

C 10A: 25 luminaires

C 16A: 25 luminaires

Service life of the LED

Ambient temperature $t_a = 25$ °C

– at 389,000h: L70B50

max. ambient temperature $t_a = 40$ °C

– at 155,000h: L70B50

Lighting technology

Half beam angle 85°

Luminaire data for the light planning program DIALux for outdoor lighting, street lighting and interior lighting as well as luminaire data in EULUMDAT and IES format are available on our website www.bega.com.

Article No. 50 232.1

LED colour temperature optionally 3000 K or 4000 K

3000 K – Article number + **K3**

4000 K – Article number + **K4**