

BEGA**50 121.3**

Wall luminaire for indoor use

IP 44

Project · Reference number

Date

Product data sheet**Application**

LED wall luminaire · indoor luminaire with hand-blown opal glass and metal bracket for many lighting tasks.

They are ideal for places where a soft and uniform lighting distribution is required. The used LED technique offers durability and optimal light output with low power consumption at the same time.

Product description

Metal housing, finish chrome
Hand-blown opal glass,
with screw neck and gasket
Mounting plate with 4 fixing holes \varnothing 6 mm
spacing 240 mm
Insulating housing with cable entry for
mains supply cable up to \varnothing 10,5 mm,
max. 3 x 1,5[□]
Connecting terminal 2.5[□]
Earth conductor connection
LED power supply unit
220-240 V \sim 0/50-60 Hz
DC 176-264 V
Safety class I
Protection class IP 44
Protected against granular foreign bodies
> 1 mm and splash water
CE – Conformity mark
Weight: 1.4 kg

Inrush current

Inrush current: 27 A / 250 μ s
Maximum number of luminaires of this
type per miniature circuit breaker:

B10A: 17 luminaires
B16A: 27 luminaires
C10A: 28 luminaires
C16A: 45 luminaires

Lamp

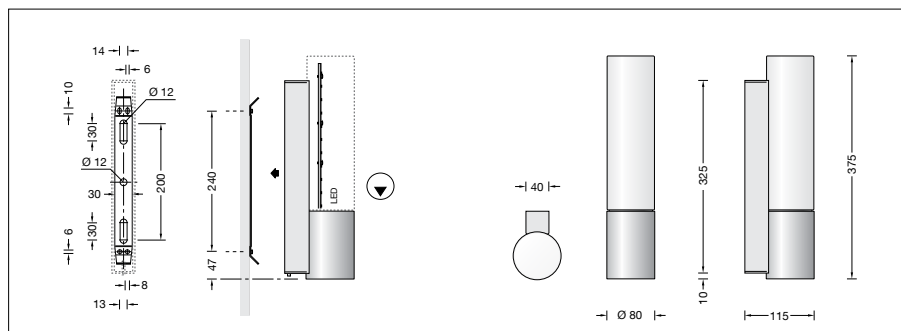
Module connected wattage 8.2 W
Luminaire connected wattage 12 W
Rated temperature $t_a = 25$ °C
Ambient temperature $t_{a,max} = 25$ °C

50 121.3

Module designation LED-0544/830
Colour temperature 3000 K
Colour rendering index $R_a > 80$
Module luminous flux 1130 lm
Luminaire luminous flux 876 lm
Luminaire luminous efficiency 73 lm/W

50 121.3 K4

Module designation LED-0544/840
Colour temperature 4000 K
Colour rendering index $R_a > 80$
Module luminous flux 1130 lm
Luminaire luminous flux 876 lm
Luminaire luminous efficiency 73 lm/W

**Lifetime of the LED**

Ambient temperature $t_a = 15$ °C
– at 50,000h: L90B10
– at 300,000h: L70B50

max. ambient temperature $t_a = 25$ °C

– at 50,000h: L70B50
– at 70,000h: L70B50

Article No. 50 121.3

LED colour temperature optionally 3000K
or 4000K
3000 K – Article number
4000 K – Article number + **K4**

Finish options

- Stainless steel
- Chrome

Code number **.2**
Code number **.3**