

BEGA**50 104**

Large-area pendant luminaire for indoor use



Project · Reference number

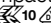

Date

Product data sheet

Application

Large-area LED pendant luminaire with high light power and high uniform light distribution.
Metal luminaire housing and 4 steel suspension wires.

Product description

Large-area LED pendant luminaire »MAXIMA«
Metal luminaire housing and metal canopy, finish white enamel
Impact resistant synthetic diffuser, white
Silicone gasket
Transparent flex suspension 5 × 0,75 □
Steel wire suspension
Overall length of luminaire approx. 4000 mm
Connecting terminal 2.5 □
with plug connection
Earth conductor connection
2-pole connecting terminal for digital control
LED power supply unit
220-240 V \sim 0/50-60 Hz
DC 176-280 V
DC Start \geq 190 V
DALI controllable
A basic isolation exists between power cable and control line
BEGA Thermal Switch®
Temporary thermal shutdown to protect temperature-sensitive components
Safety class I
Impact strength IK10
Protection against mechanical impacts < 20 joule
 – Safety mark
 – Conformity mark
Weight: 33.5 kg

Inrush current

Inrush current: 59 A / 165 μ s
Maximum number of luminaires of this type per miniature circuit breaker:
B10A: 5 luminaires
B16A: 9 luminaires
C10A: 9 luminaires
C16A: 16 luminaires

Lamp

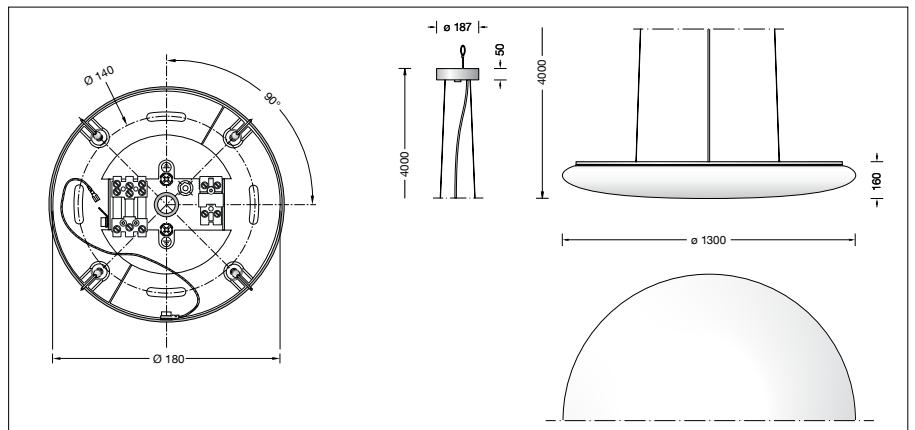
Module connected wattage	121.6 W
Luminaire connected wattage	138.2 W
Rated temperature	$t_a = 25$ °C
Ambient temperature	$t_{a \max} = 40$ °C

50 104 K3

Module designation	8x LED-0690/930
Colour temperature	3000 K
Colour rendering index	CRI > 90
Module luminous flux	20320 lm
Luminaire luminous flux	17294 lm
Luminaire luminous efficiency	125,1 lm/W

50 104 K4

Module designation	8x LED-0690/940
Colour temperature	4000 K
Colour rendering index	CRI > 90
Module luminous flux	21520 lm
Luminaire luminous flux	18314 lm
Luminaire luminous efficiency	132,5 lm/W



Service life · Ambient temperature

Rated temperature $t_a = 25$ °C	
LED psu:	> 50,000 h
LED module:	> 200,000 h (L80 B50) 50,000 h (L90 B50)
Ambient temperature $t_a \max = 40$ °C (100 %)	
LED psu:	50,000 h
LED module:	> 200,000 h (L80 B50) 50,000 h (L90 B50)

Light technique

Luminaire data for the light planning program DIALux for outdoor lighting, street lighting and indoor lighting as well as luminaire data in EULUMDAT- and IES-format you will find on the BEGA web page www.bega.com.

Article No. 50 104

LED colour temperature optionally 3000 K or 4000 K
3000 K – Article number + **K3**
4000 K – Article number + **K4**