

BEGA**50 103**

Large-area pendant luminaire for indoor use



Project · Reference number

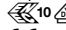
Date

Product data sheet

Application

Large-area LED pendant luminaire with high light power and high uniform light distribution. Metal luminaire housing and 4 steel suspension wires.

Product description

Large-area LED pendant luminaire »MAXIMA«
 Metal luminaire housing and metal canopy, finish white enamel
 Impact resistant synthetic diffuser, white
 Silicone gasket
 Transparent flex suspension 5 × 0,75 □
 Steel wire suspension
 Overall length of luminaire approx. 4000 mm
 Connecting terminal 2.5□
 with plug connection
 Earth conductor connection
 2-pole connecting terminal for digital control
 LED power supply unit
 220-240 V ~ 0/50-60 Hz
 DC 176-280 V
 During DC operation the LED power is reduced to 15 %
 DALI controllable
 A basic isolation exists between power cable and control line
 Safety class I
 Impact strength IK10
 Protection against mechanical impacts < 20 joule
 – Safety mark
CE – Conformity mark
 Weight: 19.5 kg

Inrush current

Inrush current: 50 A / 209 μs
 Maximum number of luminaires of this type per miniature circuit breaker:
 B 10A: 6 luminaires
 B 16A: 10 luminaires
 C 10A: 10 luminaires
 C 16A: 16 luminaires

Lamp

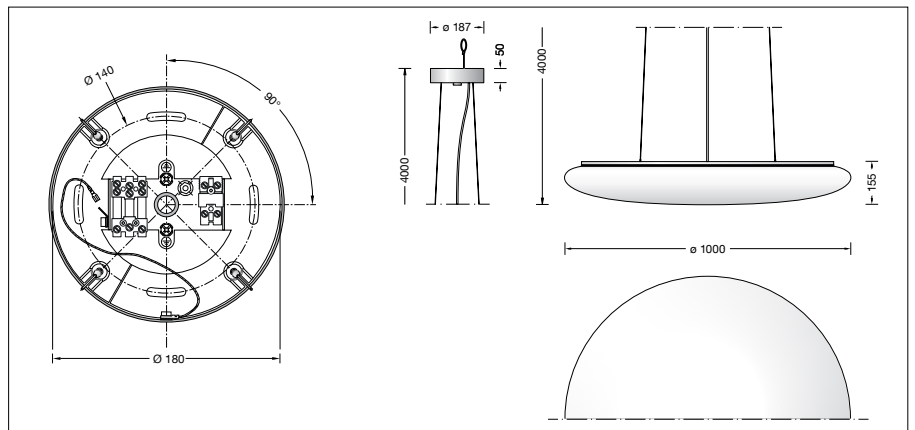
Module connected wattage	92.4 W
Luminaire connected wattage	101 W
Rated temperature	$t_a = 25 \text{ °C}$
Ambient temperature	$t_{a, \text{max}} = 35 \text{ °C}$

50 103 K3

Module designation	4x LED-0704/930
Colour temperature	3000 K
Colour rendering index	CRI > 90
Module luminous flux	14960 lm
Luminaire luminous flux	12365 lm
Luminaire luminous efficiency	122,4 lm/W

50 103 K4

Module designation	4x LED-0704/940
Colour temperature	4000 K
Colour rendering index	CRI > 90
Module luminous flux	15420 lm
Luminaire luminous flux	12745 lm
Luminaire luminous efficiency	126,2 lm/W



Service life · Ambient temperature

Ambient temperature $t_a = 25 \text{ °C}$	
LED psu:	> 50,000 h
LED module:	> 200,000 h (L 80 B 50) > 50,000 h (L 90 B 50)

Ambient temperature $t_a = 35 \text{ °C}$	
LED psu:	50,000 h
LED module:	> 200,000 h (L 80 B 50) > 50,000 h (L 90 B 50)

Light technique

Luminaire data for the light planning program DIALux for outdoor lighting, street lighting and indoor lighting as well as luminaire data in EULUMDAT- and IES-format you will find on the BEGA web page www.bega.com.

Article No. 50 103

LED colour temperature optionally 3000 K or 4000 K
 3000 K – Article number + **K3**
 4000 K – Article number + **K4**