

**BEGA****45 950.1**

Pendant luminaire for indoor use

Project · Reference number

Date

**Product data sheet****Application**

Pendant luminaire · indoor luminaire for free-radiating and uniform light with hand-blown opal glass, satin matt.  
With metal fitting and rod.

**Product description**

Metal housing, rod suspension and canopy, finish white enamel  
Hand-blown opal glass, satin matt  
Diameter of rod 13 mm  
Overall length of luminaire approx. 1800 mm  
Connection terminal 2.5<sup>2</sup>  
Earth conductor connection  
Lampholder E 27  
Safety class I  
**CE** – Conformity mark  
Weight: 2.3 kg

**Light technique**

Luminaire data for the light planning program DIALux for outdoor lighting, street lighting and indoor lighting as well as luminaire data in EULUMDAT- and IES-format you will find on the BEGA web page [www.bega.com](http://www.bega.com).

**Lamps**

Luminaire with lampholder E 27  
Lamp output max. 100 W

For this luminaire we recommend the following BEGA LED lamps:

**13510** LED 7 W · 805 lm · 2700 K

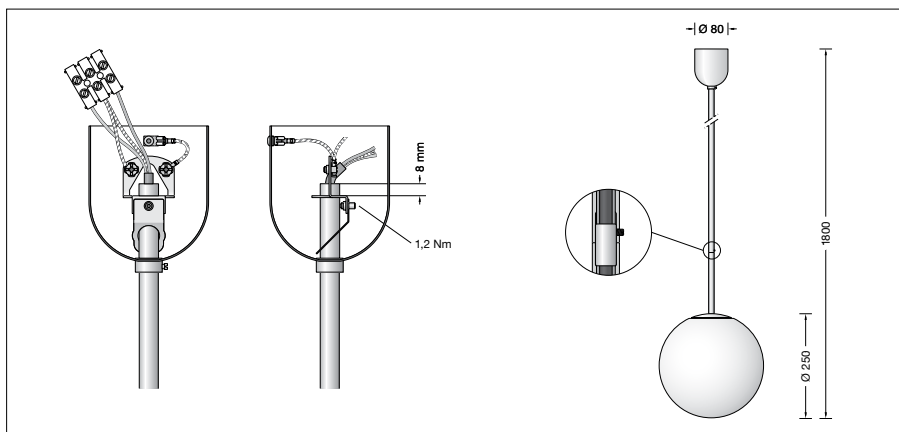
**13548** LED 7 W · 805 lm · 2700 K  
dimnable

**13512** LED 8 W · 1055 lm · 2700 K

**13564** LED 12 W · 1400 lm · 2700 K

**13565** LED 12 W · 1400 lm · 2700 K  
dimnable

Detailed technical and lighting data for the lamps can be found in the data sheets on our website.

**Article No. 45 950.1**

Optional finishes

- White enamel code number **.1**
- Stainless steel code number **.2**
- Chrome code number **.3**
- Brass code number **.4**

If the article number is followed by a **P**, we can also supply these luminaires in impact-resistant synthetic material.